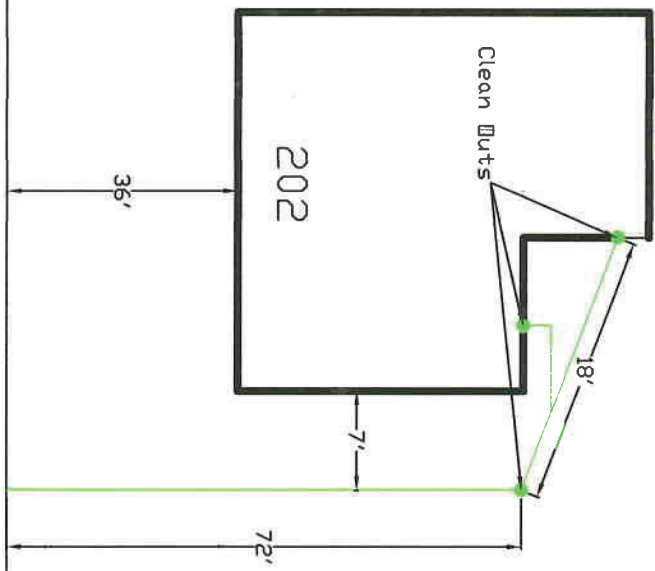


FILE COPY

Property Address	202 West Ave
Permit Number	24
Development Name	NA
Lot Number	NA
Date Inspected	01/07/50
Inspected By	Henry Spencer
AutoCad As-built Drawn By	Fred Rapelyea
AutoCad Drawing Date	10/04/05



4" Concrete pipe installed at 2%
* No further information provided by inspector



West Ave