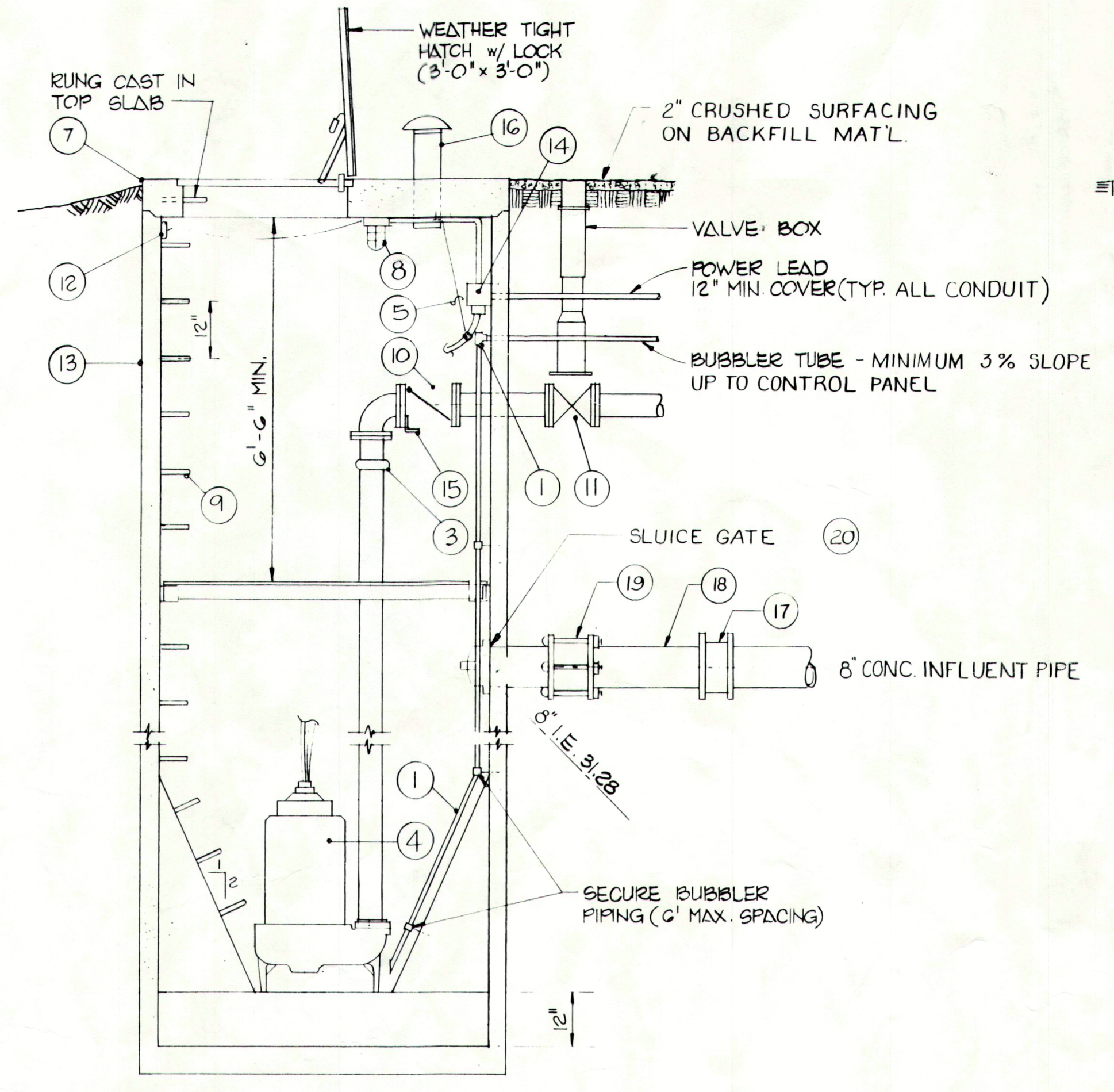
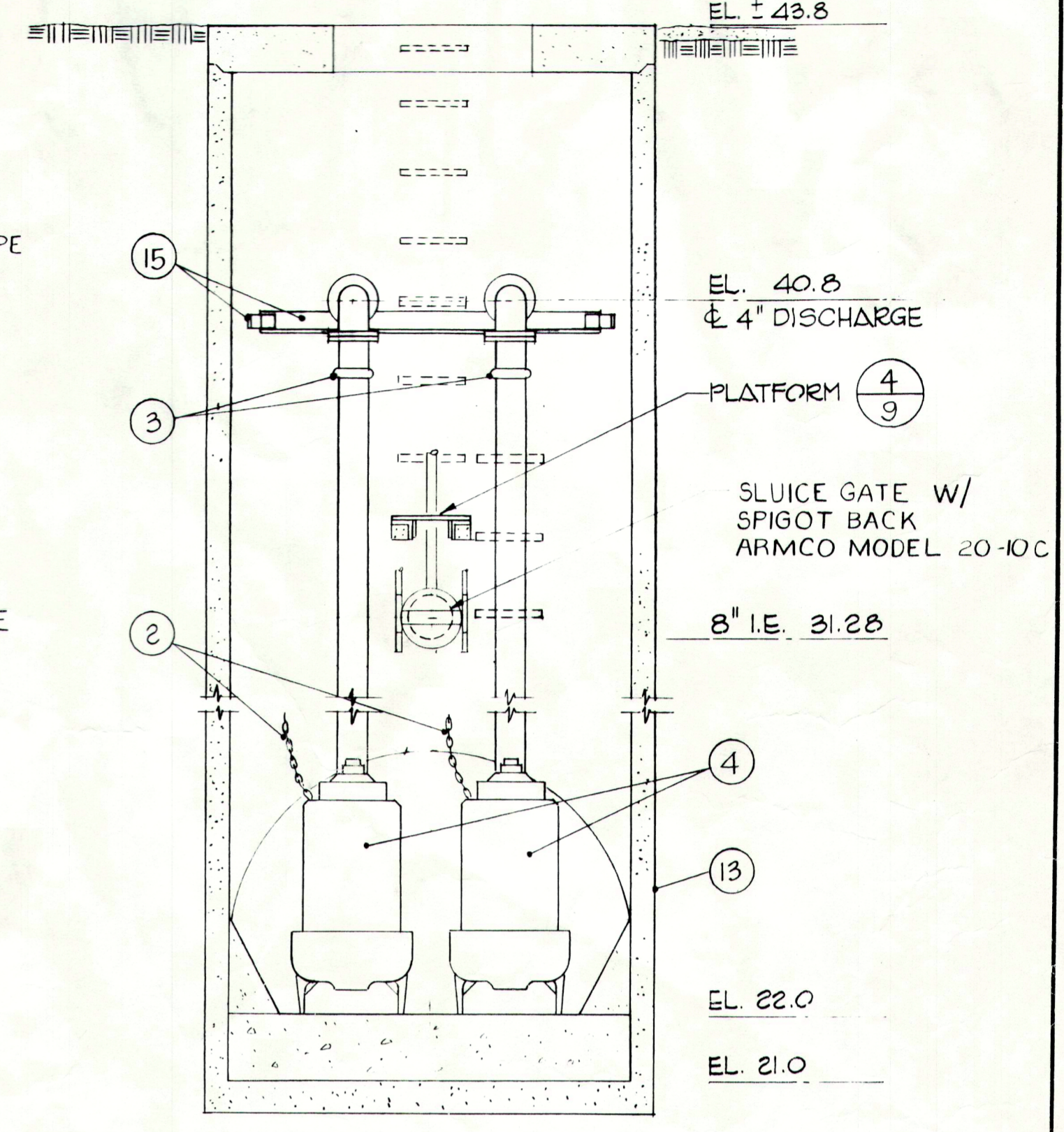


CONTROL SETTINGS

HIGH WATER ALARM	33.8
START PUMP NO. 2	33.3
STOP PUMP NO. 2	23.5
START PUMP NO. 1	30.8
STOP PUMP NO. 1	23.5
LOW WATER ALARM	23.3



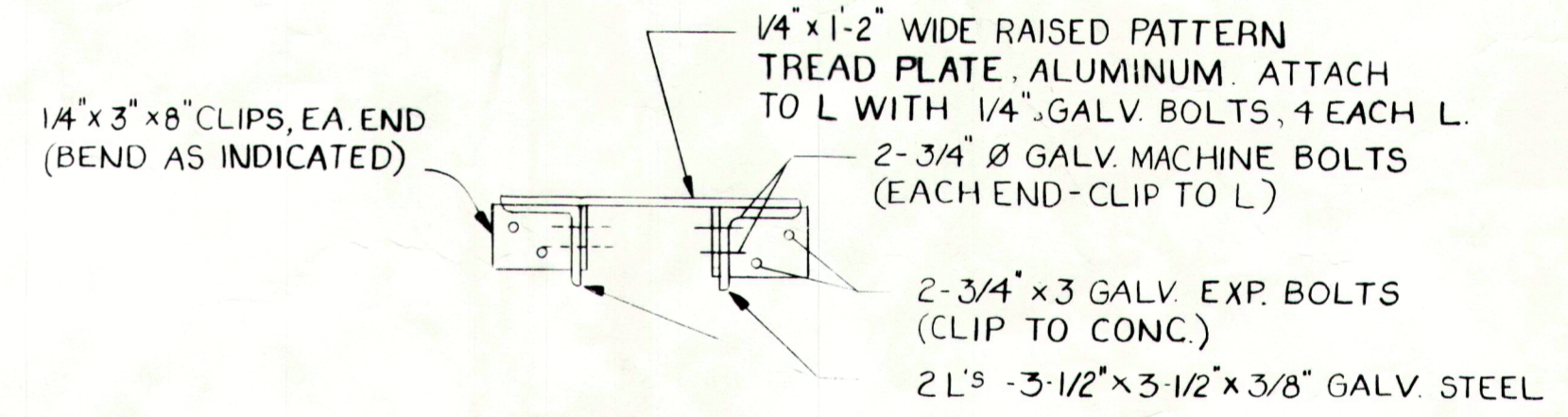
SECTION 2
SCALE: 1/2" = 1'-0"



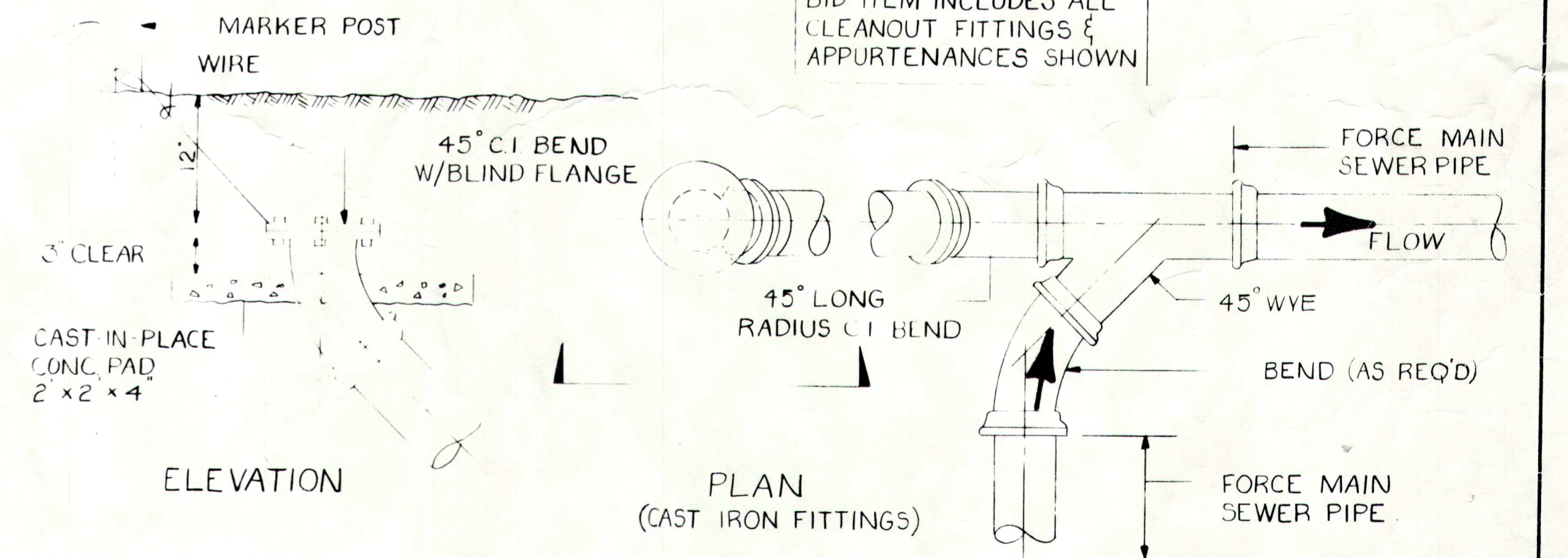
SECTION 3
SCALE: 1/2" = 1'-0"

KEYED NOTES

- BUBBLER PIPING AND TUBING, 1/2" GALV., 1/2" GLOBE VALVE, 1/2" TEE w/ PLUG INSIDE STA. 1/4" COPPER TUBING ON CONTINUOUS UP GRADE STA. TO CONTROL PANEL
- PUMP LIFT CHAIN - 1/4" GALV. CRANE CHAIN WITH GALV. DOUBLE BOLT BROUGHT IRON PIPE CLAMP, GALV. HOOK AND EYEBOLT SECURED TO TOP OF WET WELL
- 4" GALVANIZED STYLE 78 "VICTAURIC" SNAP ON COUPLING, OR EQUAL
- 20 H.P. PUMP - SEE SPECS
- USE "KELLEMS" TYPE 024-03-01X, OR EQUAL, STANDARD SUPPORT GRIPS, WITH SINGLE U EYE ROD. USE ONE FOR EACH GROUP OF MOTOR WIRES. USE EYE BOLT ANCHOR INDEPENDENT OF RECEPICLES. MATERIAL TO BE STAINLESS STEEL
- 6 CONCRETE GUARD POSTS 8" X 8" X 6'-0" TO BE PLACED AROUND CONTROL ENCLOSURE AND PUMP STATION
- PRECAST TOP SLAB w/ 3'-0" X 3'-0" ACCESS OPENING OFF CENTER AS INDICATED
- VAPOR TIGHT LIGHT FIXTURE
- GALV. STEEL LADDER A.P.W.A. STD. PLAN NO. 41
- 4" CHECK VALVE
- 4" GATE VALVES
- 1 - P SWITCH, C.I. RUBBER GASKETED WATERPROOF ENCLOSURE
- 72" ID MH SECTIONS, APWA STANDARD WITH RUBBER GASKETED JOINTS
- NEMA 4X JUNCTION BOX
- SUPPORT BAR - ANGLE 3-1/2" X 3-1/2" X 3/8" X 5'-0" L.G. CLIPS - 3-1/2" X 1/4" X 8" L.G., FASTENERS - 2-3/4" GALV. EXP. BOLTS (CLIP TO CONC.), 2-3/4" GALV. MACH. BOLTS (CLIP TO ANGLE)
- VENT, 6" C.I.P. CAST IN PLACE, w/CI VENT CAP
- 8" ADAPTER, CONCRETE PIPE TO D.I. PIPE
- 8" DUCTILE IRON PIPE
- 8" CAST IRON COUPLING, DRESSER STYLE 53
- 8" SLUICE GATE WITH SPIGOT BACK, ARMCO MODEL 20-10C, WITH VALVE BOX AND COVER CAST IN TOP SLAB



PLATFORM DETAIL 4/9
SCALE: 1-1/2" = 1'-0"



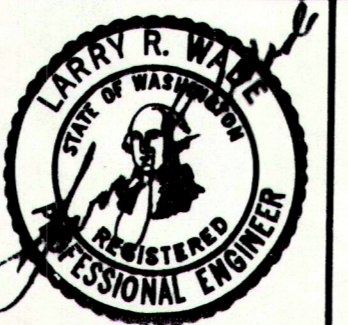
AS BUILT DRAWING
FORCE MAIN CLEANOUT ASSEMBLY 5/9
NO SCALE

SITE PLAN PUMP STATION NO. 1 1/9
SCALE: 1/2" = 1'-0"
Island Crossing

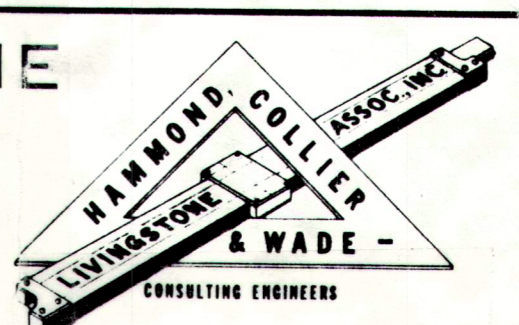
REVISIONS	DESCRIPTION	DATE

GENERAL NOTES

DESIGNED BY RANDY HERRALA
DRAWN BY REN FRANCO
CHECKED BY RANDY HERRALA
APPROVED BY LARRY WADE
DATE FEB 1978
SCALE AS SHOWN
FR NO



HAMMOND, COLLIER & WADE - LIVINGSTONE ASSOCIATES, INC.
CONSULTING ENGINEERS
4010 STONE WAY N. SEATTLE, WASHINGTON 98103
(206) 632-2664



CITY OF MARYSVILLE, WASHINGTON
ISLAND CROSSING
SANITARY SEWER U.L.I.D. NO. 5
PUMP STATION NO. 1 (ISLAND CROSSING)

DRAWING NO 1500-231
SHEET 9 OF 11