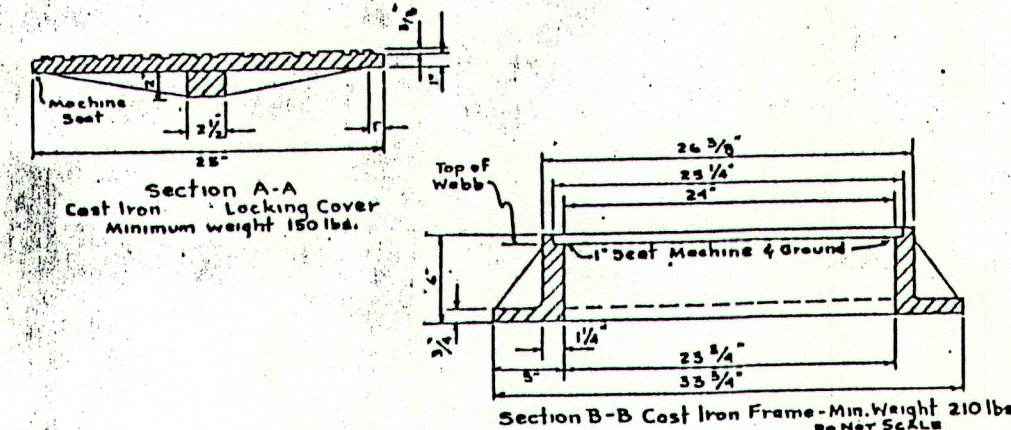
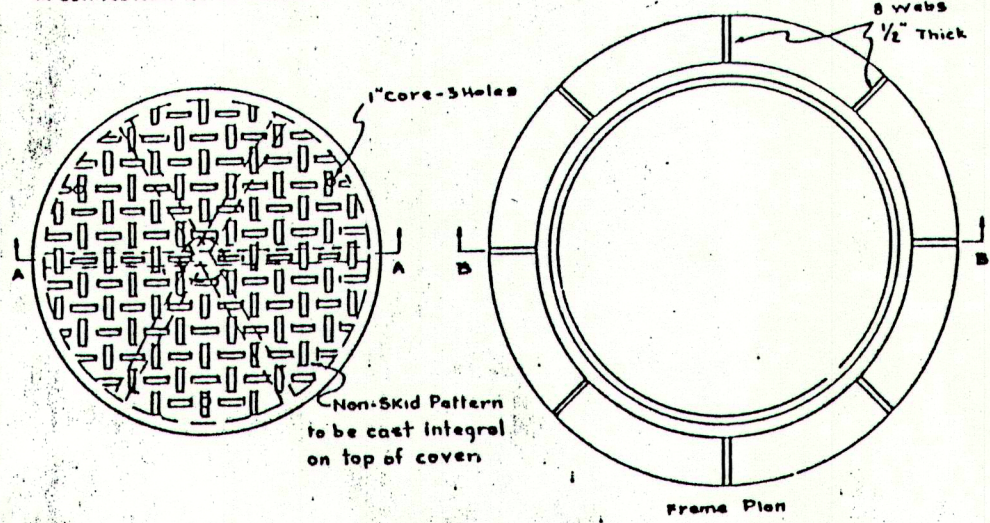
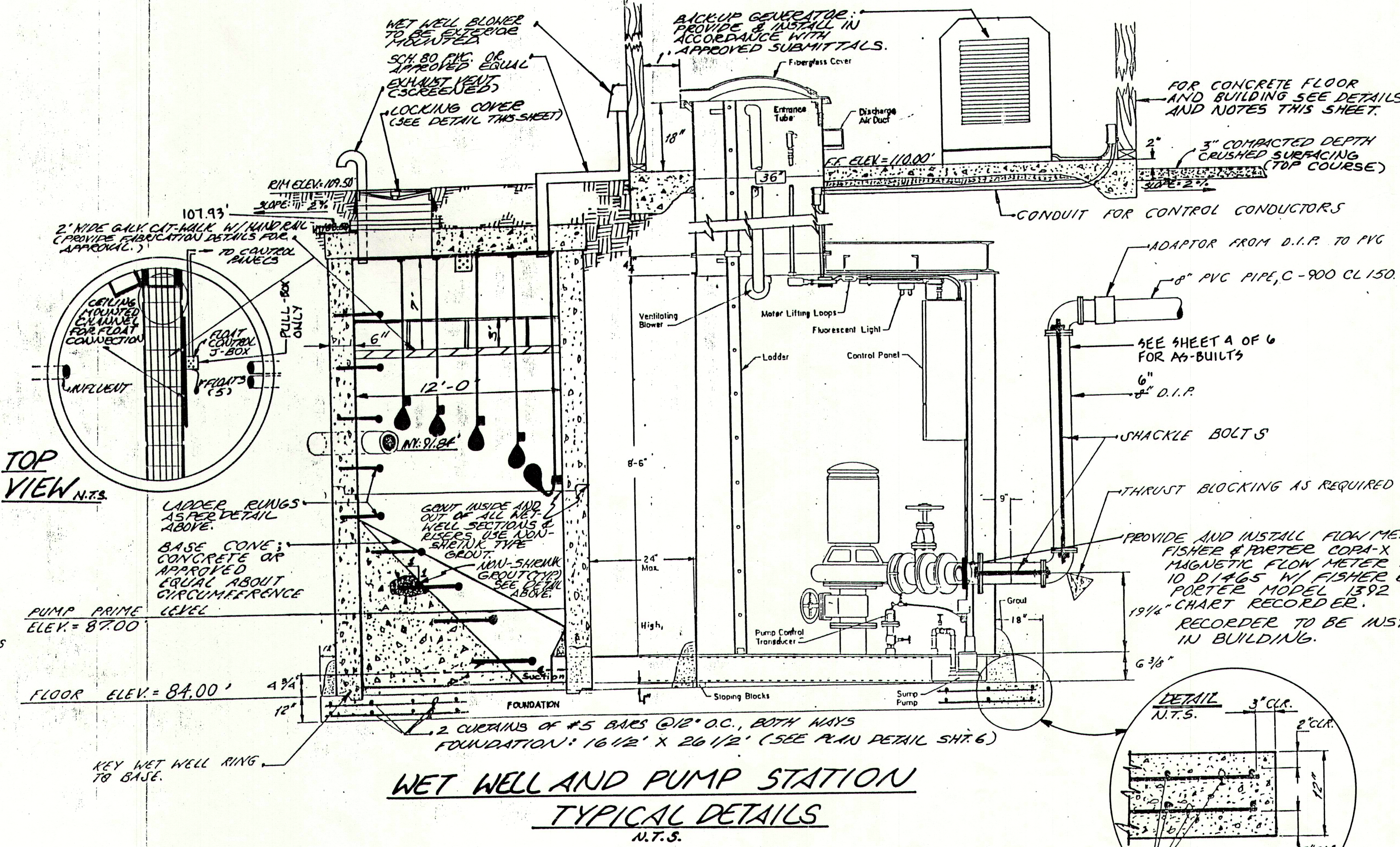
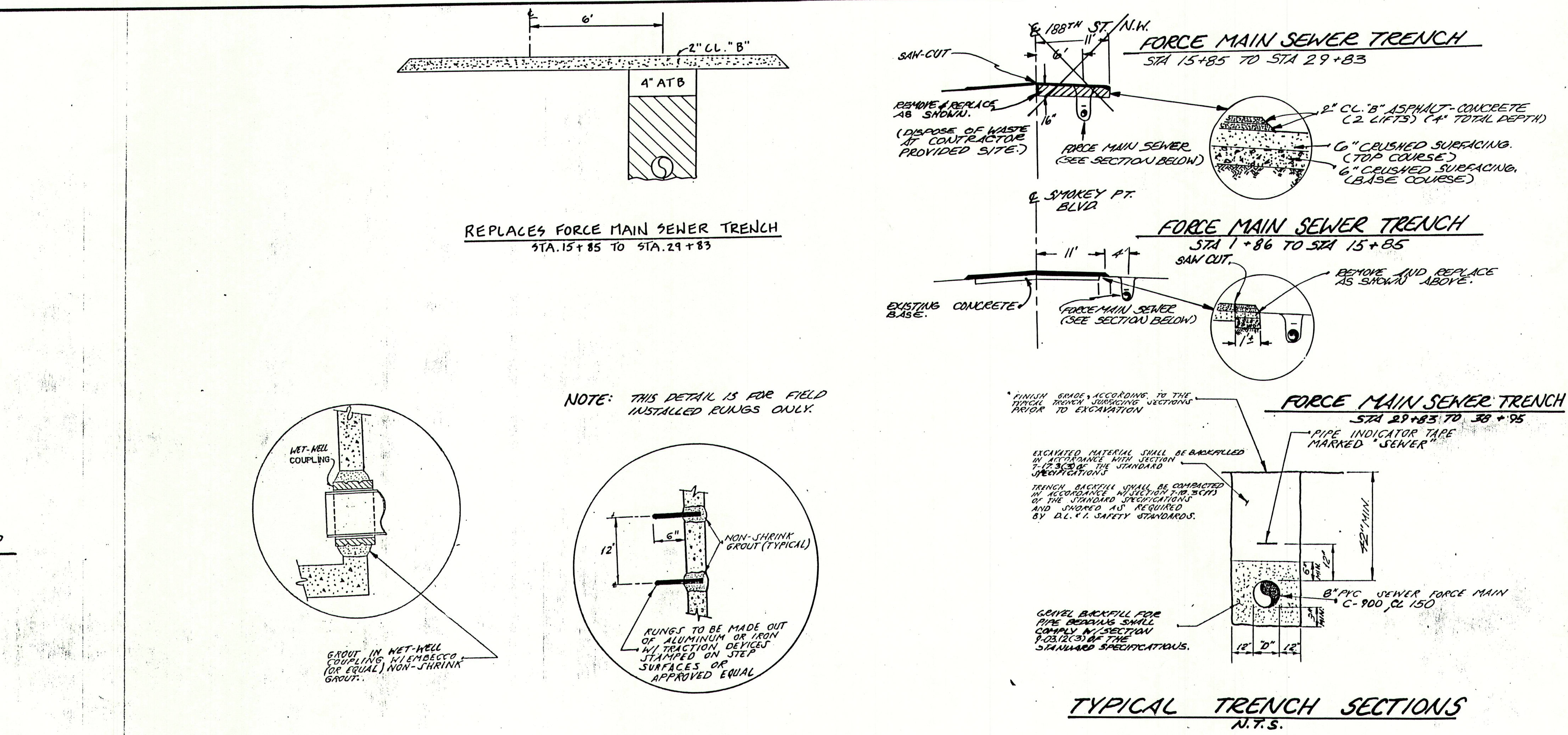
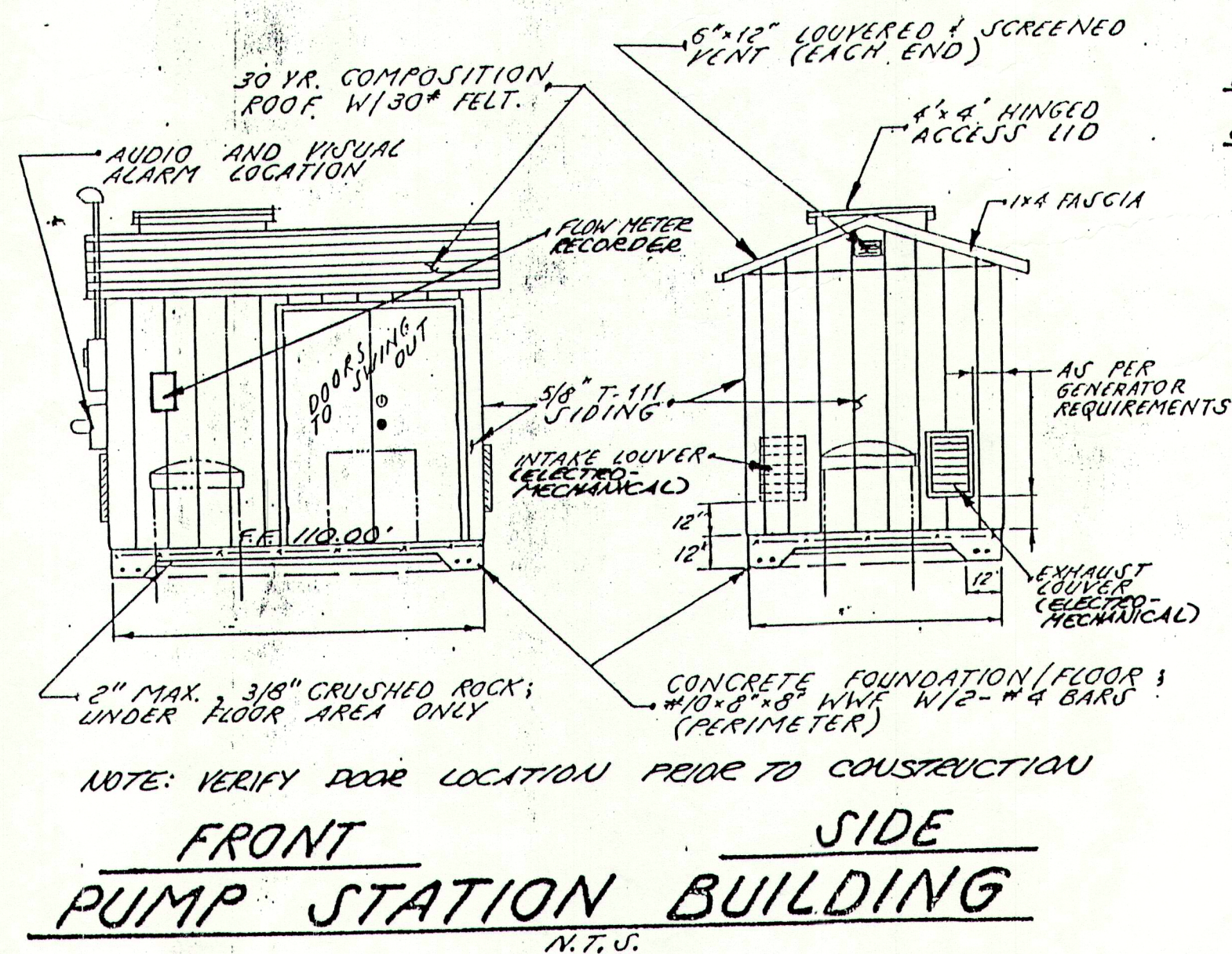


Covers shall have the word "SEWERS" in 2" raised letters when used in connection with sanitary sewer installations, or "WATER" when used in connection with water distribution installation.



WET-WELL FRAME W/LOCKING COVER
N.T.S.

- NOTE:**
FLOOR: 10' x 14' x 4" THICK SLAB W/ 12" x 12" CONCRETE THICKENED EDGE AS PER THIS DRAWING. FINISH FLOOR TO BE +0.5' ABOVE EXISTING GROUND.
- BUILDING:** 10' x 14' WOOD FRAME CONSTRUCTION W/ 8' HIGH WALLS, CONSTRUCTED AS PER THESE DRAWINGS, THE CITY OF ARLINGTON, AND THE U.D.C.
- WALLS:** 2" x 4" STUDS @ 16" O.C. W/ RT. SOLE PLATE AND DOUBLE TOP PLATE, W/ 3/4" EXT. T-111 SIDING.
- ROOF:** 2" x 6" RAFTERS W/ PLUMB CUT 12" TAILS @ 24" O.C. COVERED WITH 5/8" CDX PLYWOOD, 30" FELT AND 30 YR., 5 TAB COMPOSITION ROOFING.
- PAINT:** 1 COAT OF PRIMER GRAY EXTERIOR PAINT.
2 COATS OF LIGHT GRAY EXTERIOR PAINT.
- ELECTRICAL:** PROVIDE 1 CEILING FIXTURE W/ 200 WATT BULB. FIXTURE TO BE GUARDED TYPE. PROVIDE 1 60A BREAKER TYPE, DUPLEX RECEPTACLE.
- VENTILATION:** EXHAUST LOUVER TO BE INSTALLED AT THE MANUFACTURER'S SUGGESTED DIMENSIONS.
INTAKE LOUVER TO BE INSTALLED AS SHOWN AND AS SPECIFIED IN THE "SPECIAL PROVISIONS".
- DOORS:** DOORS TO BE METAL, INSULATED, AND WITH A KEY OPERATED DEAD BOLT. PROVIDE A MINIMUM OF 4 KEYS. PAINT TO MATCH BUILDING. NON-KEYED DOOR TO HAVE FLOOR JOTTED DEAD BOLT.

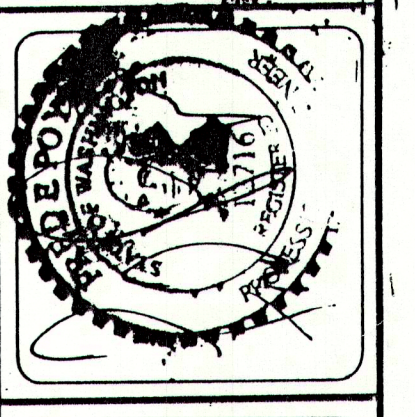


- NOTES:**
- ENGINEER'S PLANS AND SPECIFICATIONS FOR DETAILS OF THE NET WELL, CONCRETE FOUNDATION, GROUT UNDER PUMP STATION AND ELECTRICAL SERVICE ARE INCLUDED IN THIS CONTRACT.
 - CONTRACTOR TO PROVIDE AND INSTALL NET WELL AS SHOWN ON THESE DRAWINGS.
 - CONTRACTOR TO INSTALL THE PUMP STATION TO THE DIMENSIONS AS SHOWN ON THIS DRAWING.

FLOAT CONTROL SWITCHES	
SETTING'S	ELEV.
LEAD PUMP ON	88.00'
LAG PUMP ON	89.00'
HIGH WATER ALARM	90.00'
BOTH PUMPS OFF	87.00'
LOW WATER ALARM	86.50'

LS-6

DESIGNED & DRAWN BY: DATE 8-6-91
CHECKED BY: DATE 8-6-91
SCALE - HORIZONTAL: N/A
SCALE - VERTICAL: N/A
JOB NUMBER: 8619
COUNTY: SNOHOMISH



Cascade Surveying & Engineering, Inc.
P.O. BOX 326
ARLINGTON, WA
435-5551
652-7572

for CITY OF ARLINGTON
S.R. 5/SMOKEY POINT REST AREA
SANITARY SEWER EXTENSION