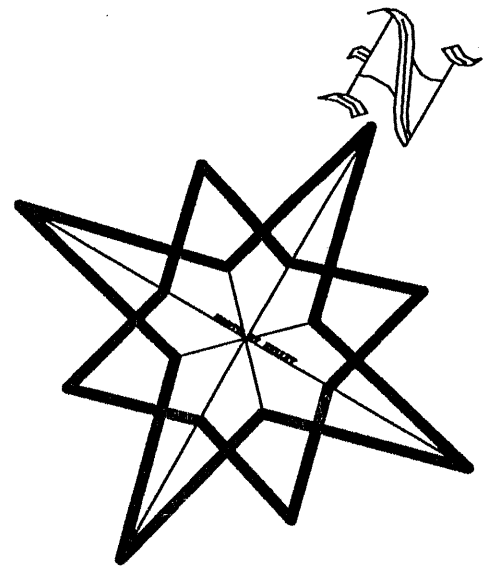
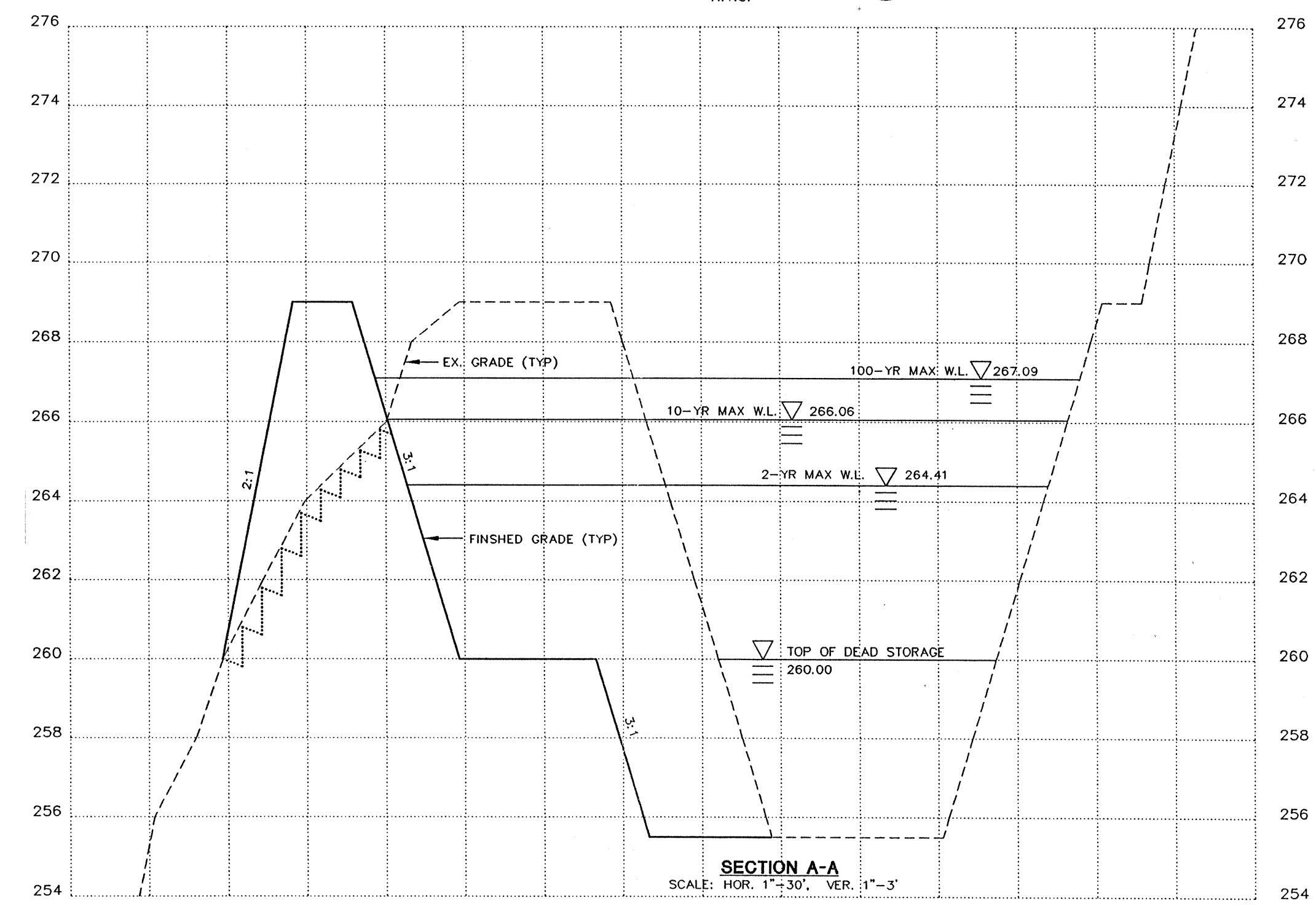
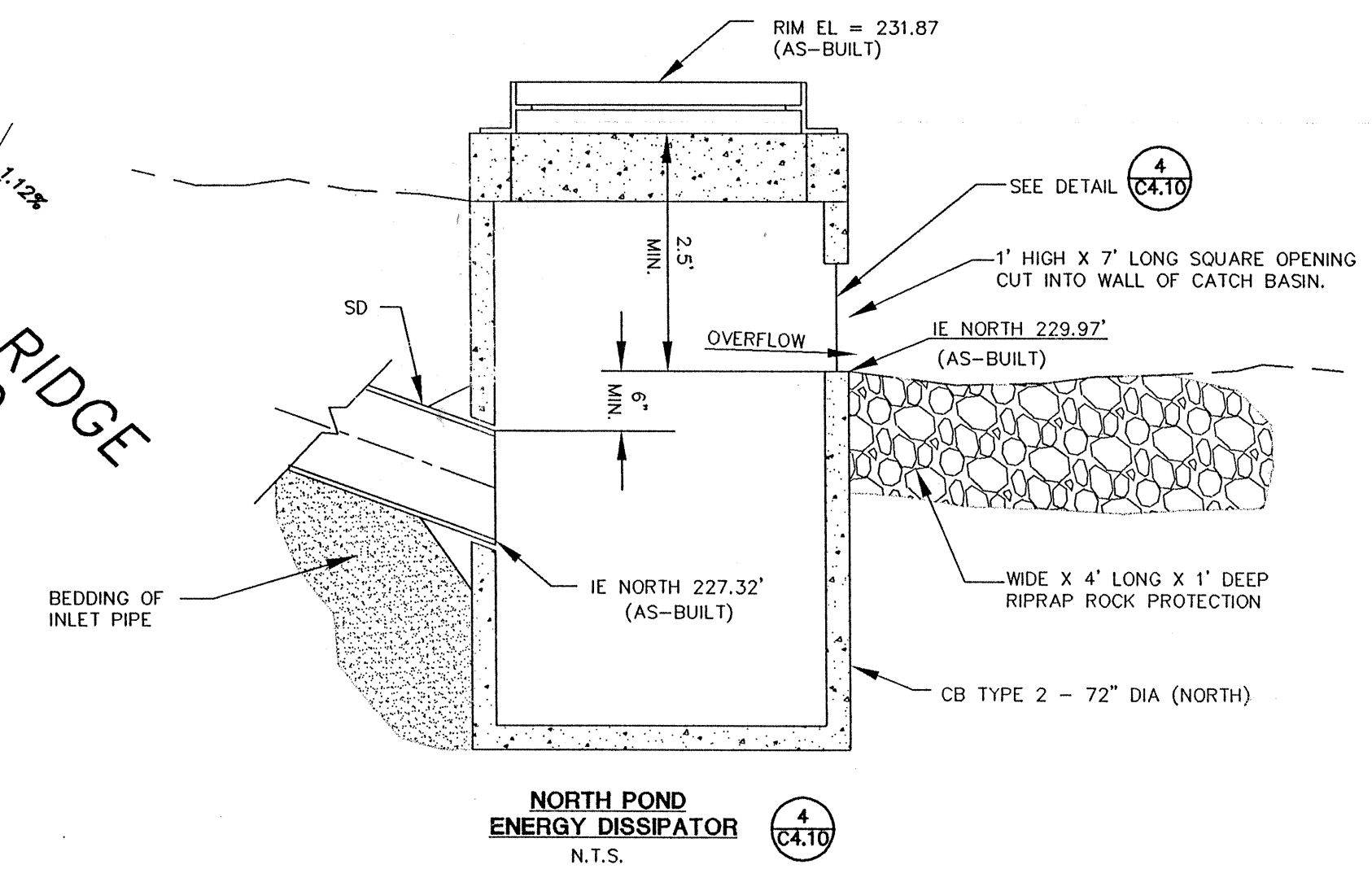
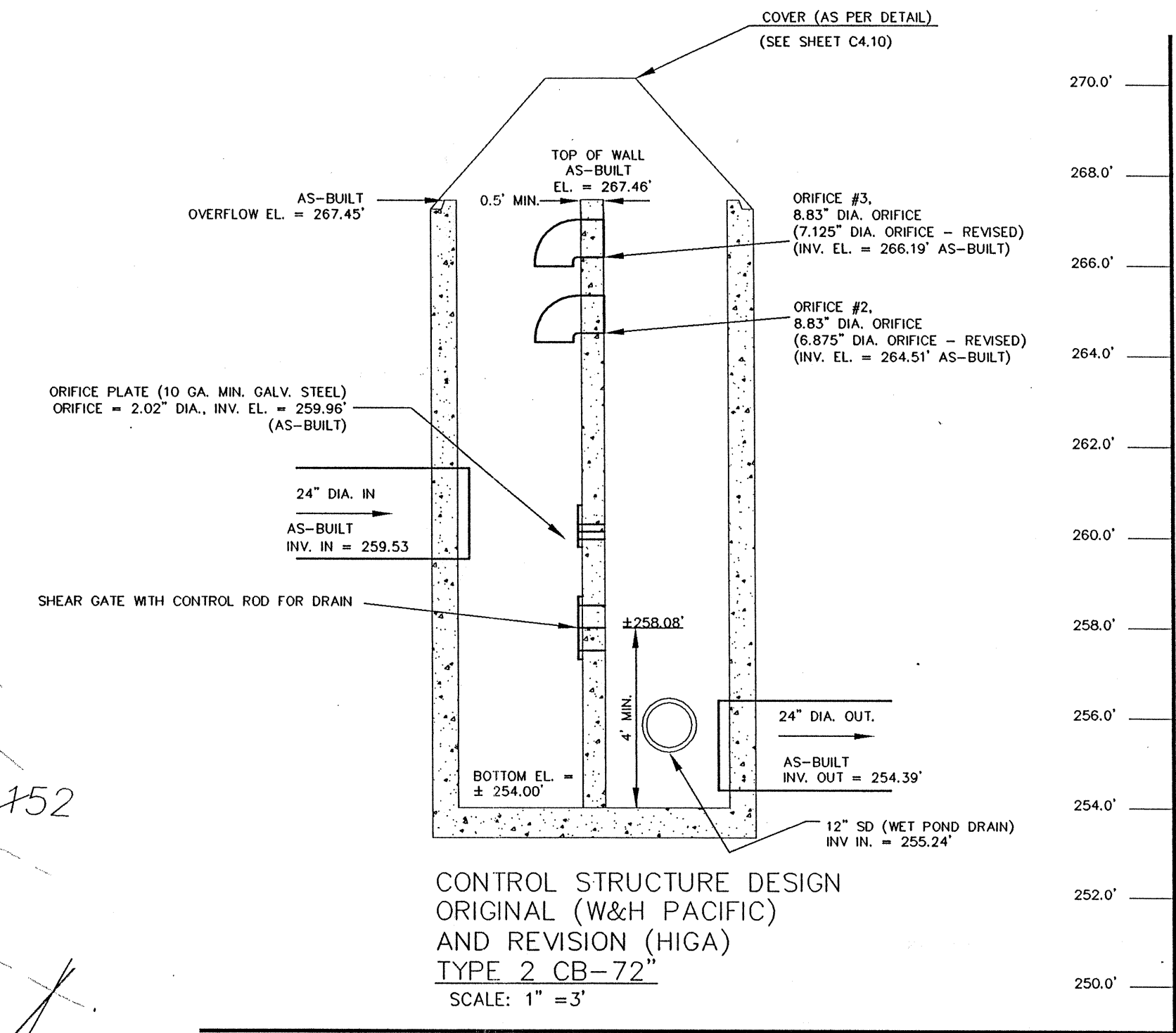
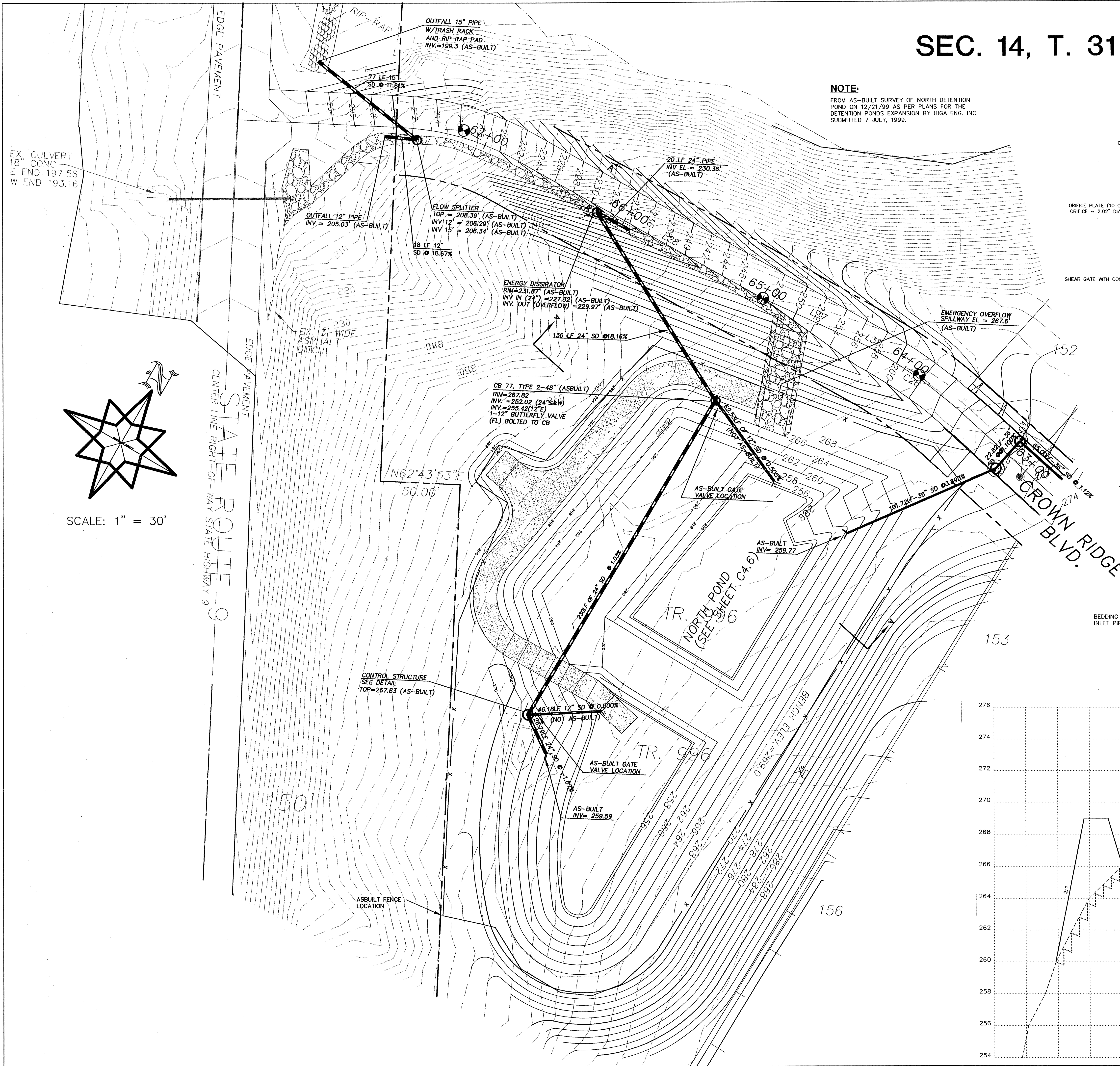


SEC. 14, T. 31 N., R. 5 E., W.M.

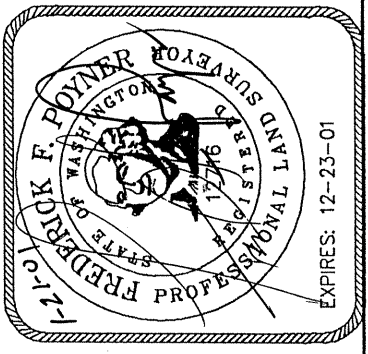
NOTE:
FROM AS-BUILT SURVEY OF NORTH DETENTION POND ON 12/21/99 AS PER PLANS FOR THE DETENTION PONDS EXPANSION BY HIGA ENG. INC. SUBMITTED 7 JULY, 1999.



SCALE: 1" = 30'

REVISED

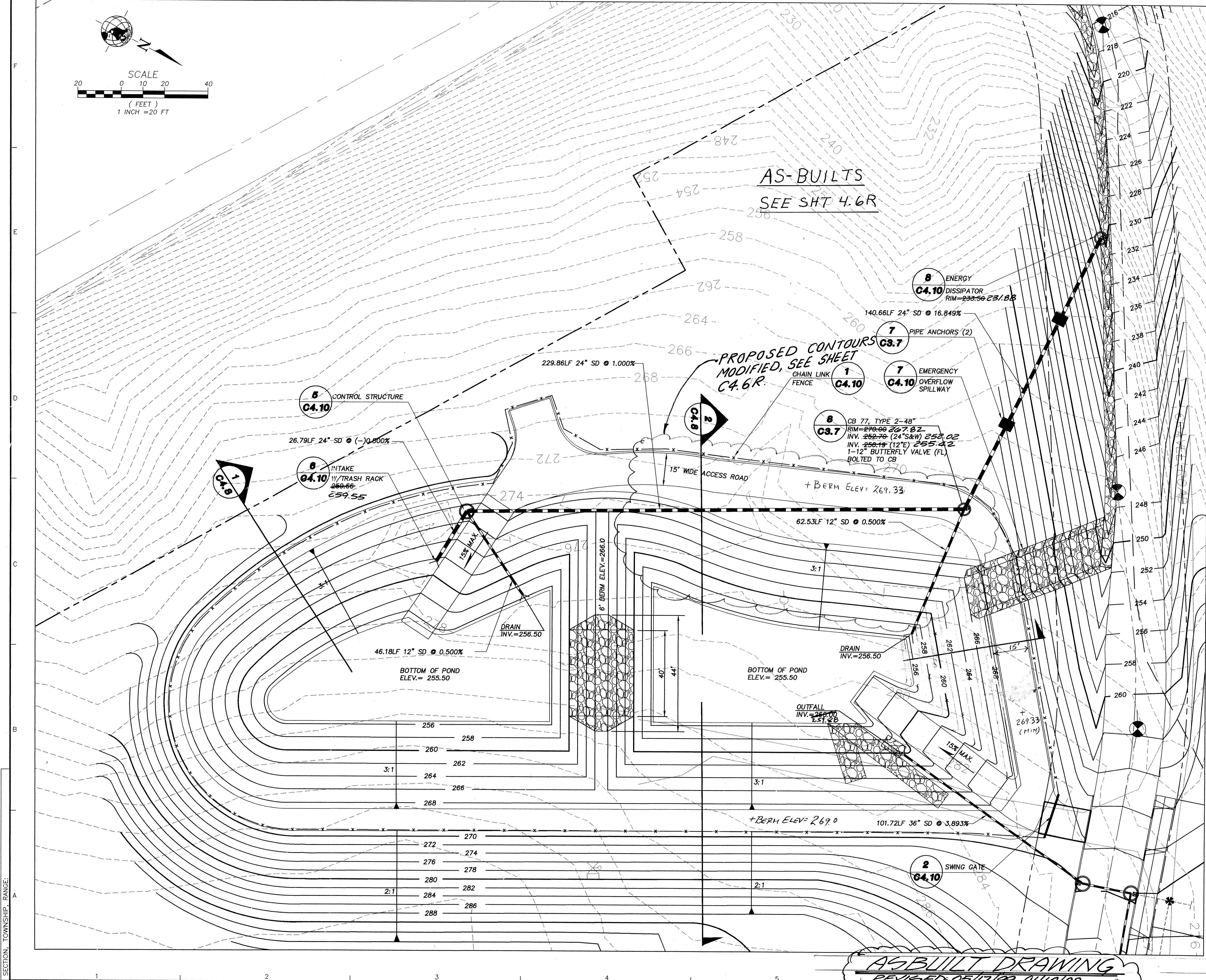
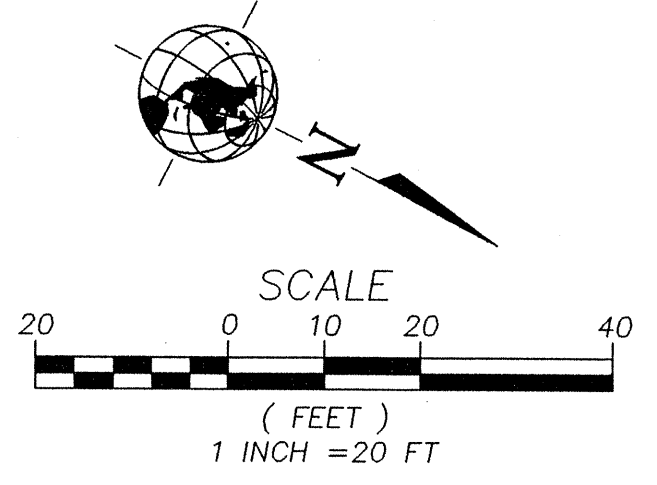
DESIGNED	DATE
CHECKED	DATE
SCALE-HORIZONTAL	
- VERTICAL	
JOB NUMBER	
FIELD BOOK	
COUNTY	



CASCADE SURVEYING & ENGINEERING, INC.
P.O. BOX 826
ARLINGTON, WASHINGTON 98223
(360)435-6551
FAX: (360)435-4012
1-800-683-6551

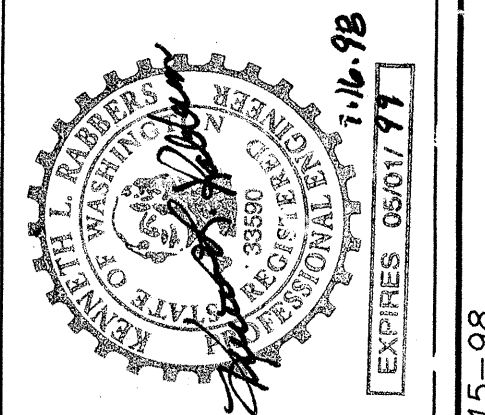
ASBUILT OF NORTH POND FOR WIGAN DEVELOPMENT CO.

12817
4.6R
.../13401/1281P-1.DWG



W&P PACIFIC
 9025 41ST AVENUE NE
 BELLEVUE, WA 98006-8004
 WWW.WHPACIFIC.COM
 TEL: (425) 827-0220 FAX: (425) 822-5941
 Planning • Engineering • Surveying
 Landscape Architecture • Environmental Services

WASHINGTON
 DRAWING FILE NAME: LCRDP01
 PROJECT NO. 3-0229-0903
 ARLINGTON
 SCALE:



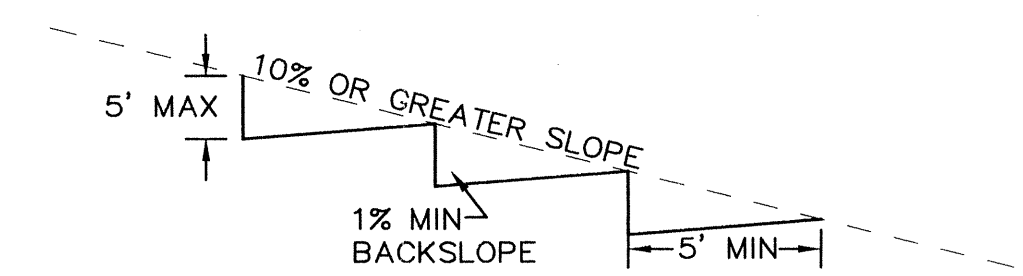
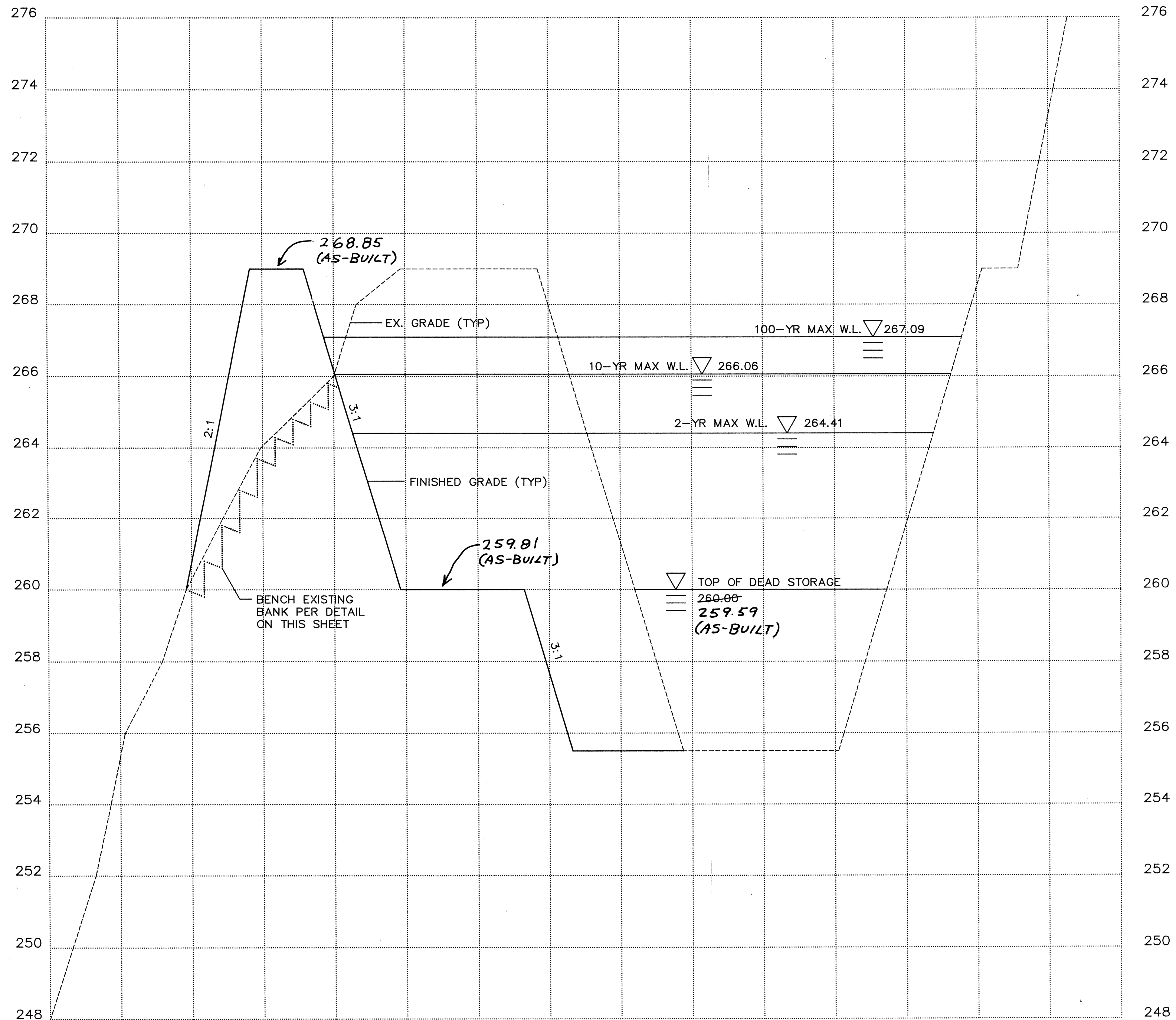
DESIGNED BY: RCA	CHECKED BY: RCA	APPROVED BY: [Signature]
DATE: 7/01/98	REVISION: [Blank]	DATE: 7/10/98
BY: RCA	CITY COMMENTS: [Blank]	DATE: 7/14/98
BY: RCA	REVIEW COMMENTS: [Blank]	DATE: [Blank]
BY: RCA	FINAL CITY APPROVAL: [Blank]	DATE: [Blank]

APPROVED FOR CONSTRUCTION
 [Signature]
 KEN REID
 PUBLIC WORKS DIRECTOR
 DATE: 7/10/98

AS-BUILT DRAWING
 REVISED: 05/17/99, 01/10/00

SHEET
C4.6

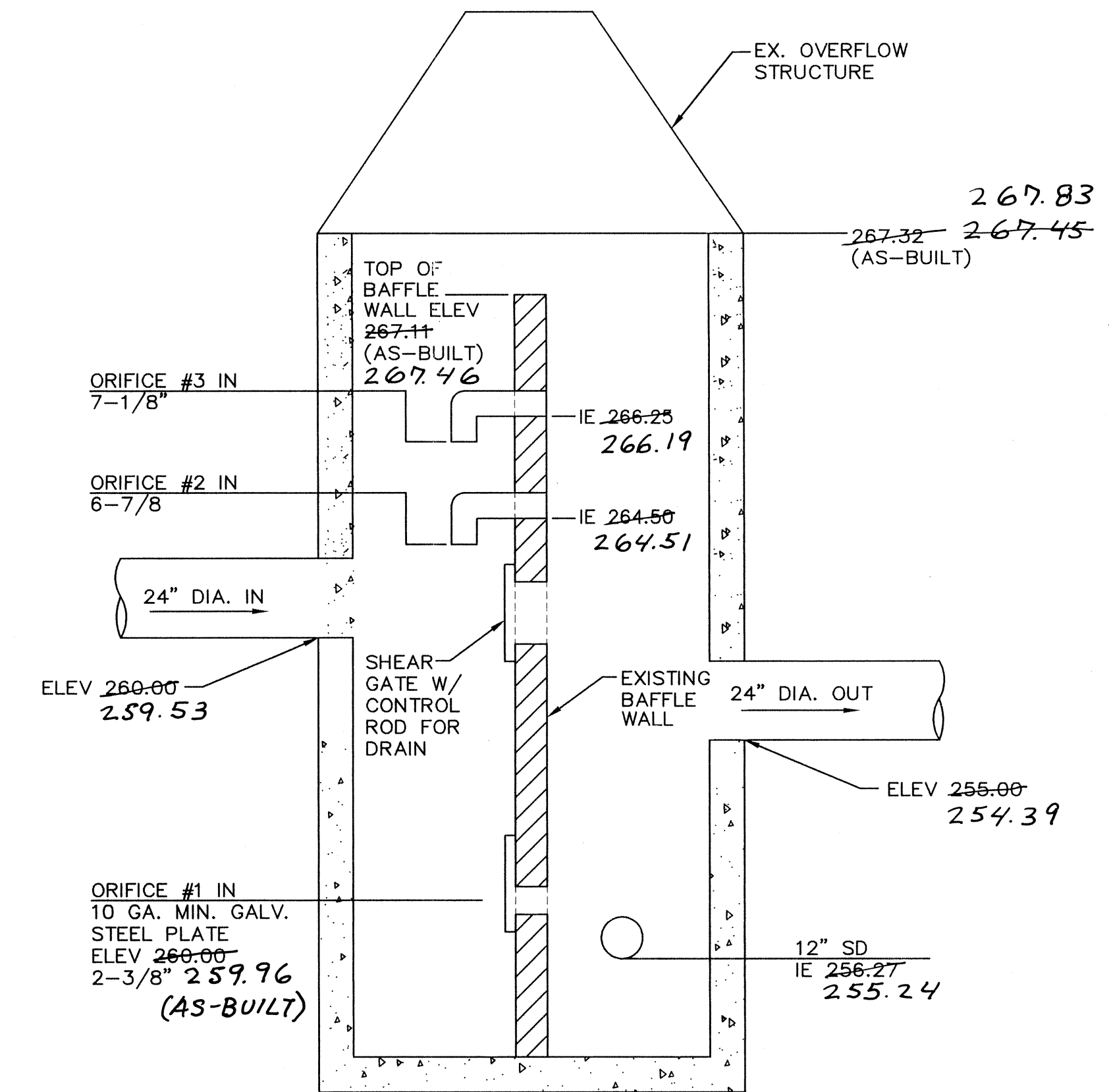
SECTION, TOWNSHIP, RANGE: A, B, C, D, E, F
 LAST EDIT: 6-30-98
 PLOT DATE: 7-15-98



NOTE: BENCHES MUST KEY INTO STABLE STRUCTURAL-QUALITY SOIL OR ROCK.

BENCHING DETAIL

FOR USE WHERE FILL IS TO BE PLACED ON SLOPES EXCEEDING 10%
 NOT TO SCALE

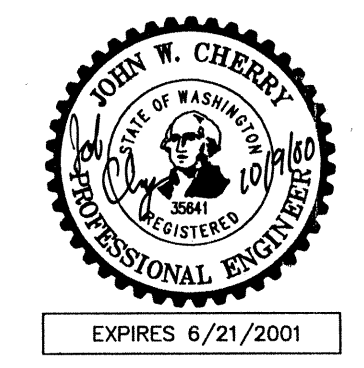


ORIFICE CORES #2 AND #3 THROUGH BAFFLE WALL SHALL BE OFFSET 6" LEFT AND RIGHT OF CENTERLINE OF WALL

SECTION A-A (FROM SHEET 2)
 SCALE: 1" = 20' HORIZONTAL
 1" = 2' VERTICAL

AS-BUILT DRAWING 11-24-00

BA
 ENGINEERING, INC.
 1721 Hewitt Avenue, Suite 401
 Everett, WA 98201
 (425) 252-2826 fax: 252-9551



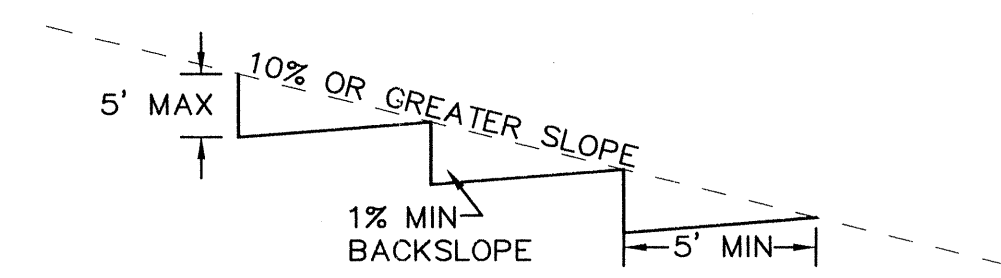
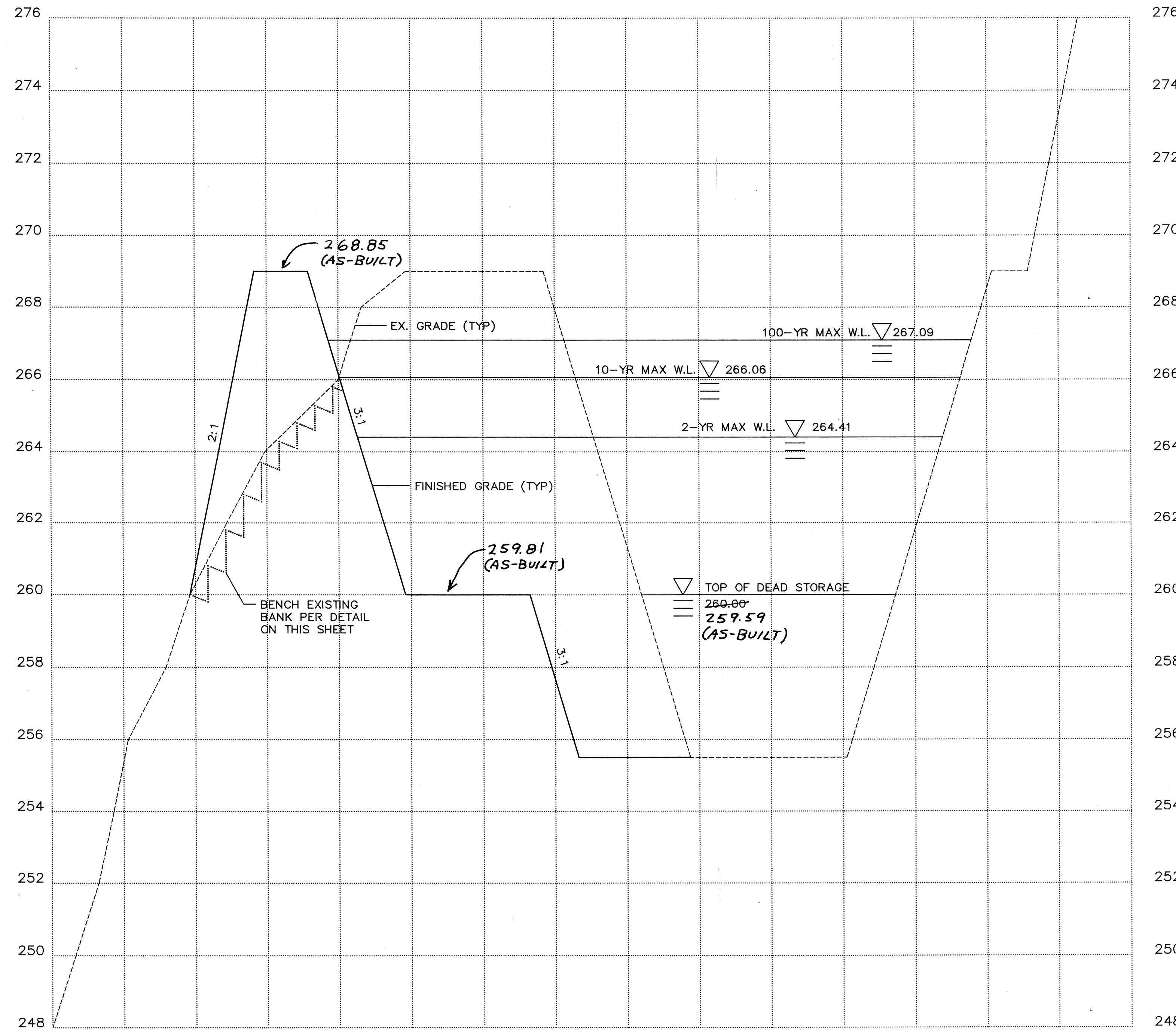
CITY OF ARLINGTON
DEPARTMENT OF PUBLIC WORKS
APPROVED FOR CONSTRUCTION
 Duplicate Copy for As-Building
 BY: *[Signature]*
 DATE: 11-19-00

DATE	REVISIONS	BY:

ISSUE DATE: 6/30/99
 DESIGNED BY: JWC
 DRAWN BY: JWC, EAB
 PLAN CHECK BY: JWC
 1ST SUBMITTAL DATE: 7/7/99
 2ND SUBMITTAL DATE:

CONSTRUCTION PLANS
CROWN RIDGE ESTATES
NORTH POND EXPANSION
DETAILS

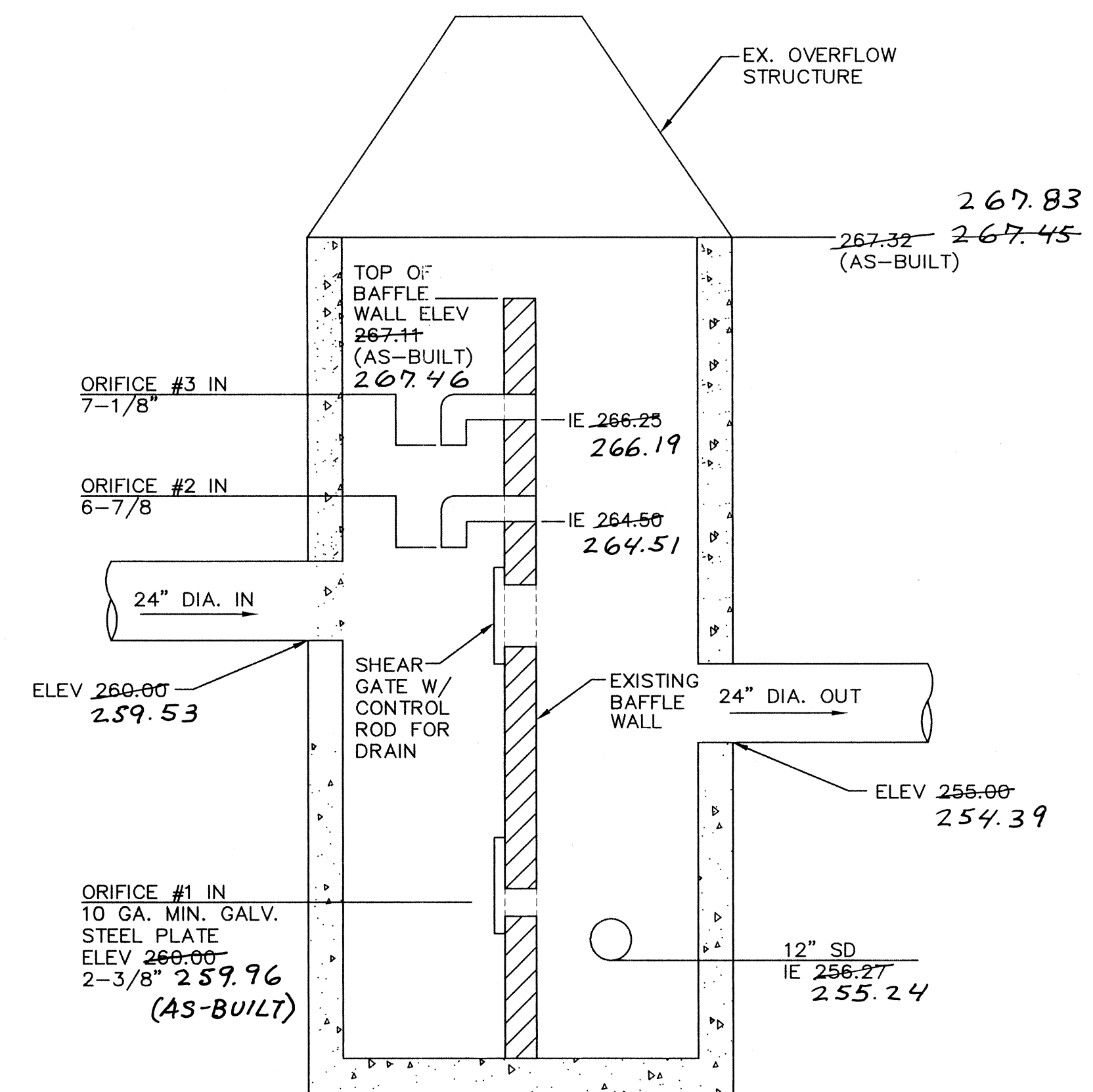
JOB NO.
1399S
3
4



NOTE: BENCHES MUST KEY INTO STABLE STRUCTURAL-QUALITY SOIL OR ROCK.

BENCHING DETAIL

FOR USE WHERE FILL IS TO BE PLACED ON SLOPES EXCEEDING 10%
 NOT TO SCALE



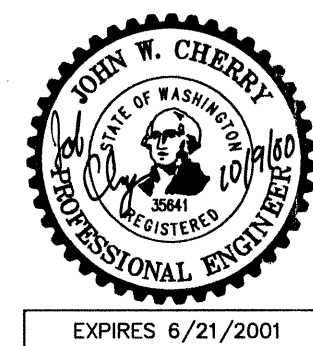
ORIFICE CORES #2 AND #3 THROUGH BAFFLE WALL SHALL BE OFFSET 6" LEFT AND RIGHT OF CENTERLINE OF WALL

CONTROL STRUCTURE REVISIONS

TYPE 2 CB-72'

NOT TO SCALE

AS-BUILT DRAWING 11-24-00



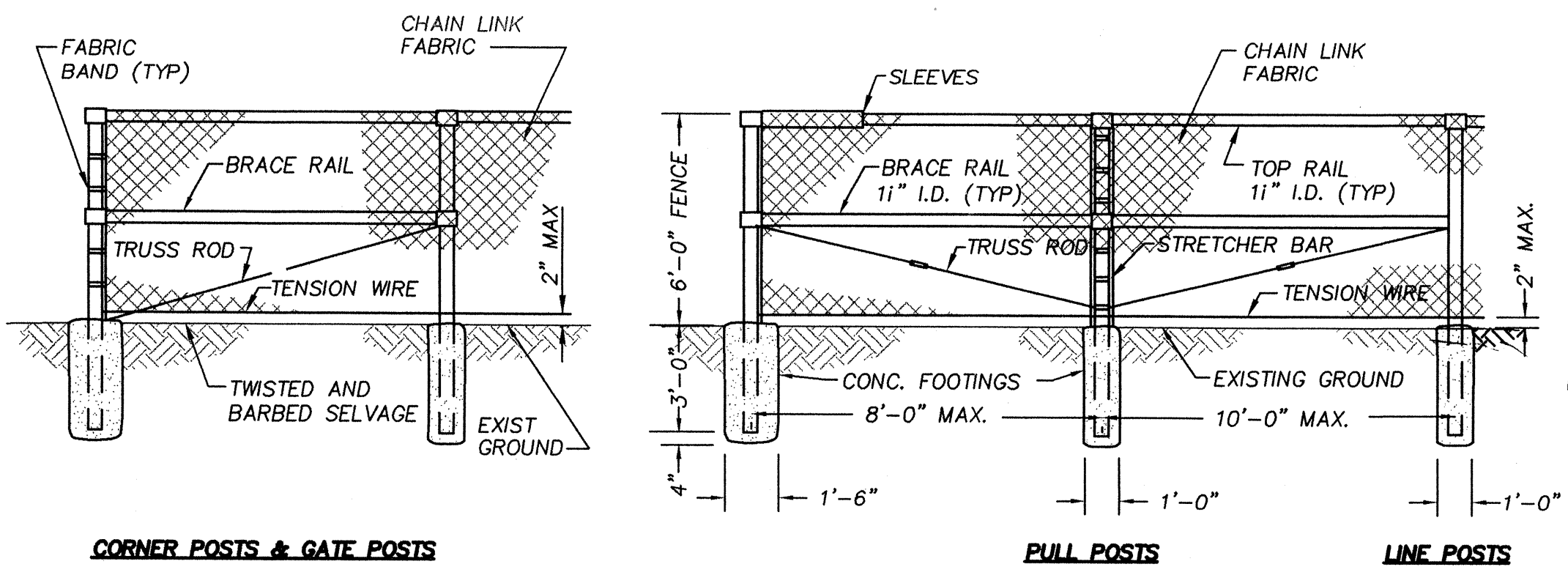
CITY OF ARLINGTON
 DEPARTMENT OF PUBLIC WORKS
APPROVED FOR CONSTRUCTION
 Duplicate Copy for As-Built
 BY: *[Signature]*
 DATE: 11-19-00

DATE	REVISIONS	BY:

ISSUE DATE: 6/30/99
 DESIGNED BY: JWC
 DRAWN BY: JWC, EAB
 PLAN CHECK BY: JWC
 1ST SUBMITTAL DATE: 7/7/99
 2ND SUBMITTAL DATE:

CONSTRUCTION PLANS
CROWN RIDGE ESTATES
 NORTH POND EXPANSION
 DETAILS

JOB NO.
1399S
 3
 4



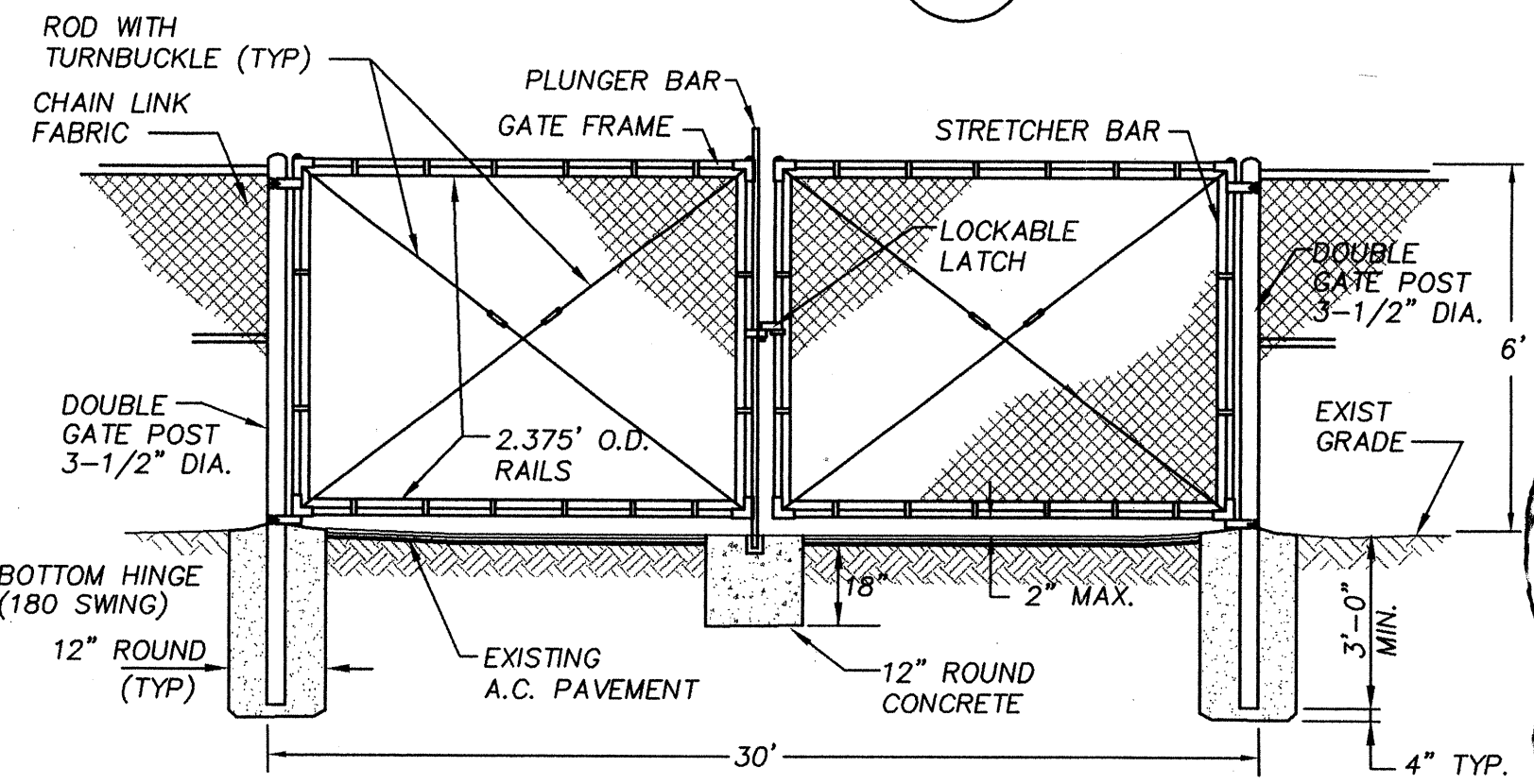
CORNER POSTS & GATE POSTS

PULL POSTS

LINE POSTS

6' CHAIN LINK FENCE DETAIL 1 C4.10

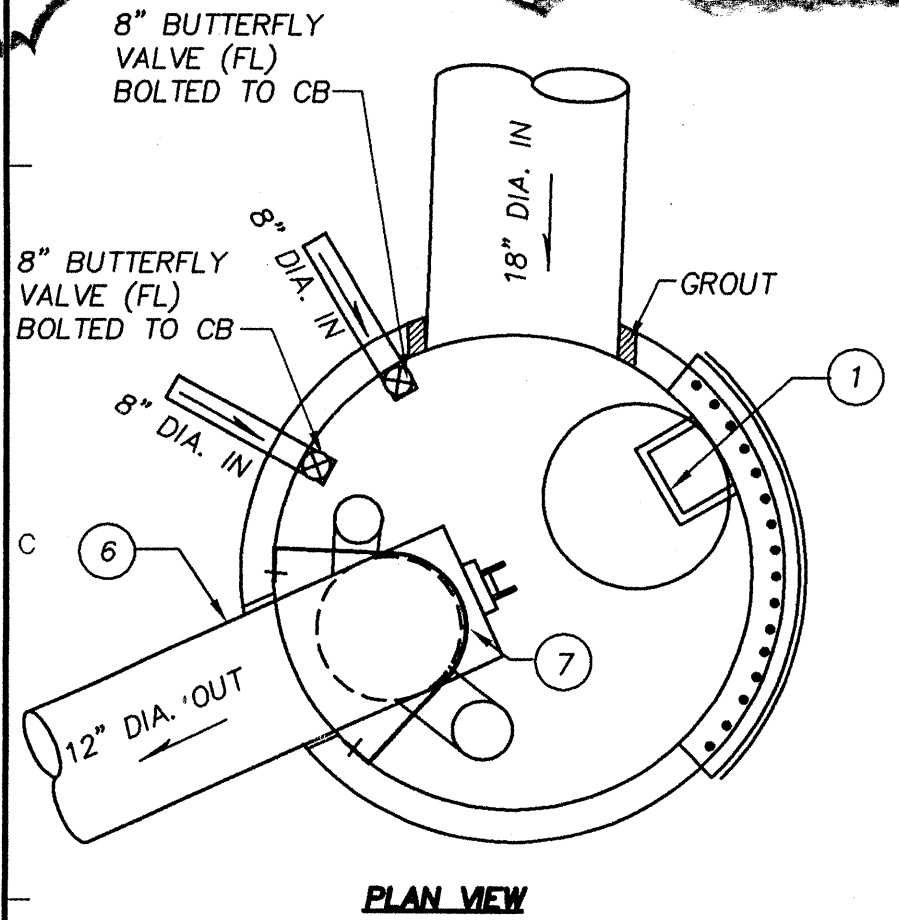
NOTE: ALL FENCING AND GATES SHALL CONFORM TO WSDOT TYPE 1 STANDARDS FOR MATERIALS AND INSTALLATION.



DOUBLE GATE

NOTE: 12" SWING GATE SHALL BE THE SAME AS SHOWN EXCEPT IT SHALL HAVE A SINGLE 12" GATE FRAME.

SWING GATE DETAIL 2 C4.10



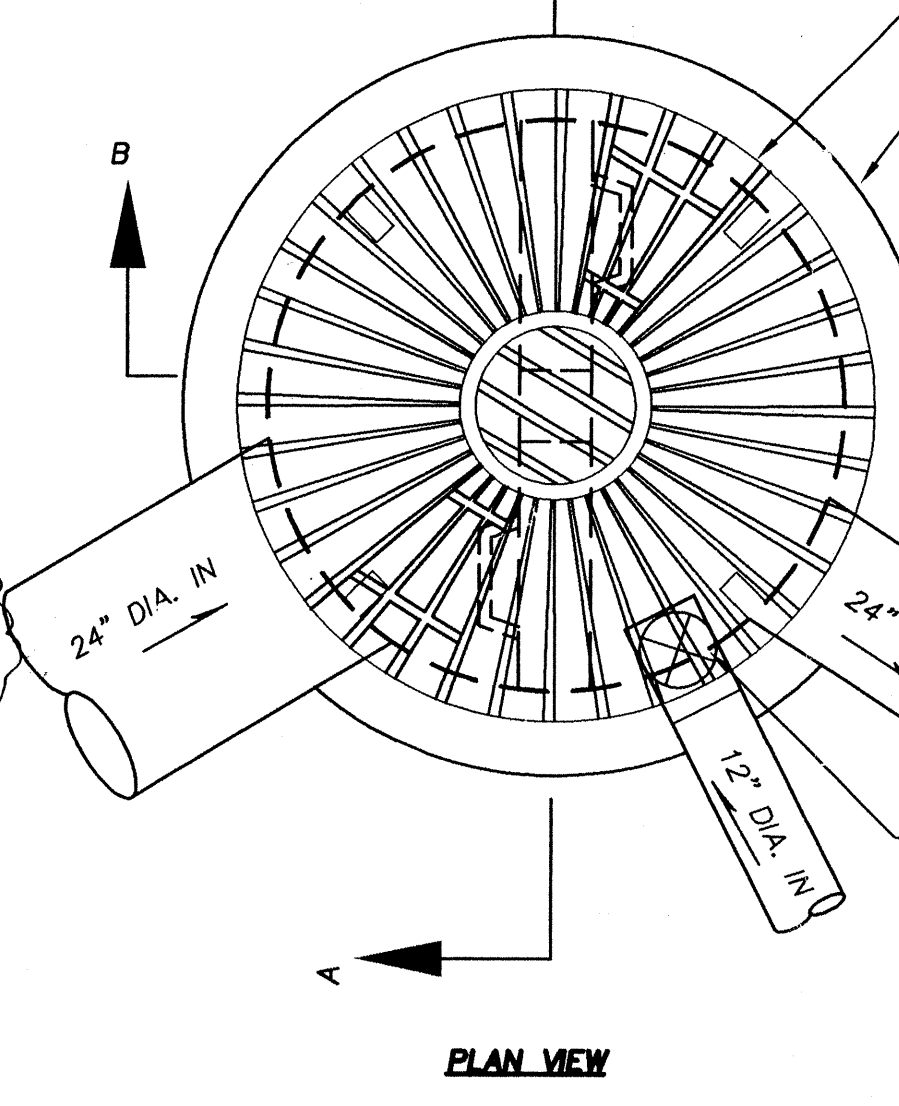
HOOK CLAMP DETAIL

NOTES:

- INSTALL MANHOLE ACCESS SO THAT LIFT GATE IS VISIBLE THROUGH OPENING AND STEPS CLEAR INLET AND RESTRICTOR UNIT.
- INSTALL STD 416 WITH LOCKING COVER OR WHEN IT IS TO BE A CB THEN USE STD 412.
- STEPS
- MIN CLEARANCE: 36" FOR OUTLETS OF 24" AND LARGER 18" FOR OUTLETS OF 18" AND SMALLER
- 54" TYPE 2 CB OR LARGER.
- SEE PLAN AND SPECIFICATIONS FOR SIZE, TYPE, AND INVERT ELEVATIONS OF PIPE ENTERING AND EXITING CB.
- SECURE RESTRICTOR TO CB WITH 8 GA ALUMINUM STRAPS. BOLT TO CB WALL WITH STAINLESS STEEL ANCHOR BOLTS AND TACK WELD TO RESTRICTOR UNIT. ONE STRAP ABOVE AND BELOW OUTLET REQUIRED.
- LIFT HANDLE
- CLEAN OUT AT 8" DIA. MIN. 12" FOR 24" DIA. AND LARGER OUTLET PIPE.
- RESTRICTOR ASSEMBLY. SEE STD DWG 412B.
- FOR I.E. SEE SHEET C4.8

EMERGENCY OVERFLOW SPILLWAY 7 C4.10

NTS NORTH POND: H=0.5' ; L=17.4' SOUTH POND: H=0.5' ; L=6.0'



PLAN VIEW

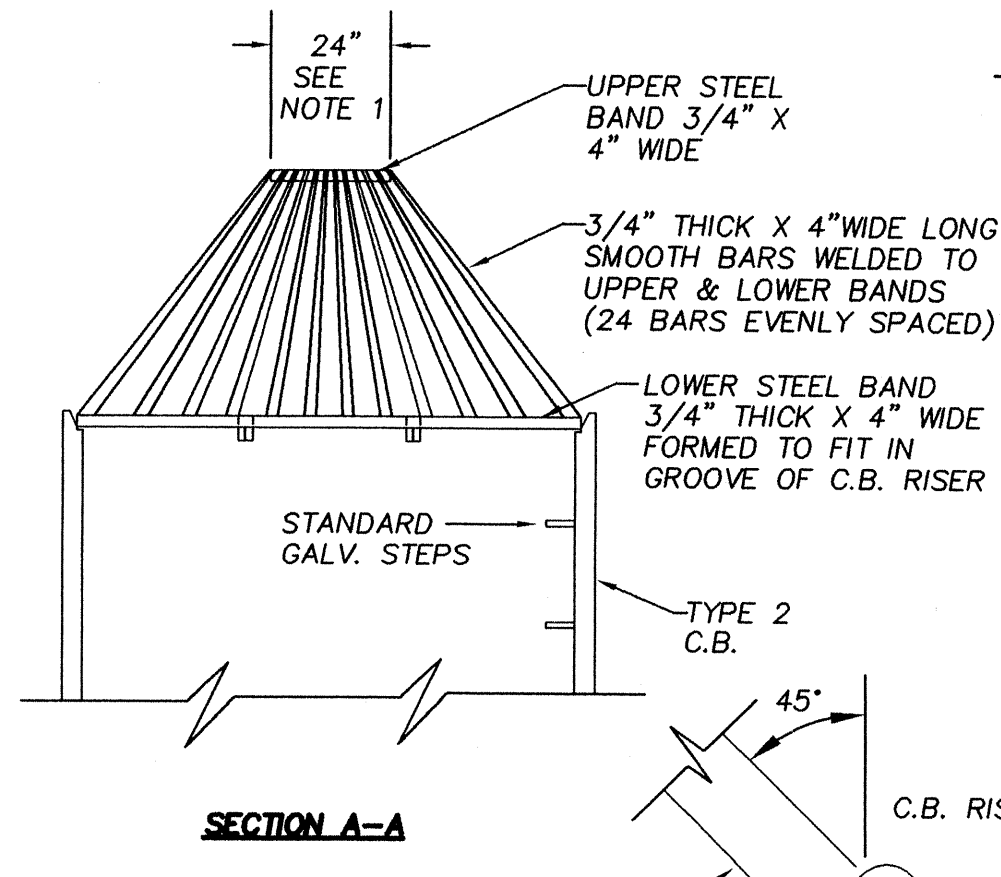
COVER 9 C4.10

NOTE: FOR I.E. SEE SHEET C4.6

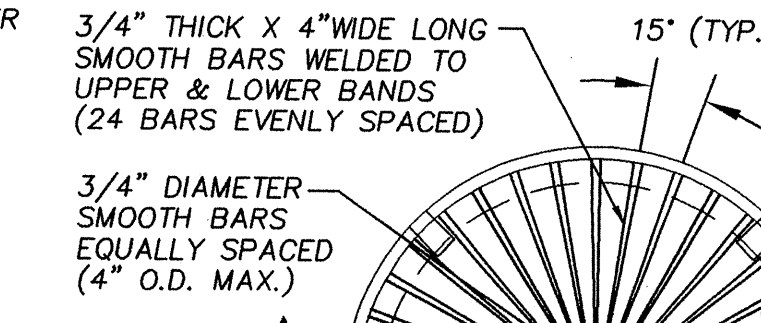
ORIFICE DIAMETER: 1.95"
ORIFICE #1 - 2.00" DIA., EL. 258.00
ORIFICE #2 - 8.00" DIA., EL. 265.00
ORIFICE #3 - 8.20" DIA., EL. 266.20
OVERFLOW ELEV. 267.50

ENERGY DISSIPATOR 8 C4.10

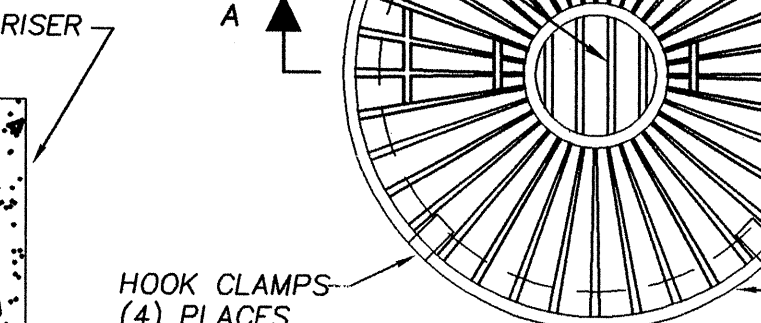
NTS 1. DIMENSIONS ARE FOR INSTALLATION ON A 54" Ø CATCH BASIN, FOR DIFFERENT DIA. C.B.'S, ADJUST DIMENSIONS TO MAINTAIN 45° ANGLE ON VERTICAL BARS AND 4" O.C. MAXIMUM SPACING OF BARS AROUND LOWER STEEL BAND. WHEN VERTICAL BAR SPACING EXCEEDS 4" O.C., ADD CONCENTRIC HORIZONTAL RINGS, SPACED 4" O.C. TO THE STRUCTURE.
2. METAL PARTS: CORROSION RESISTANT, STEEL PARTS GALVANIZED.



SECTION A-A



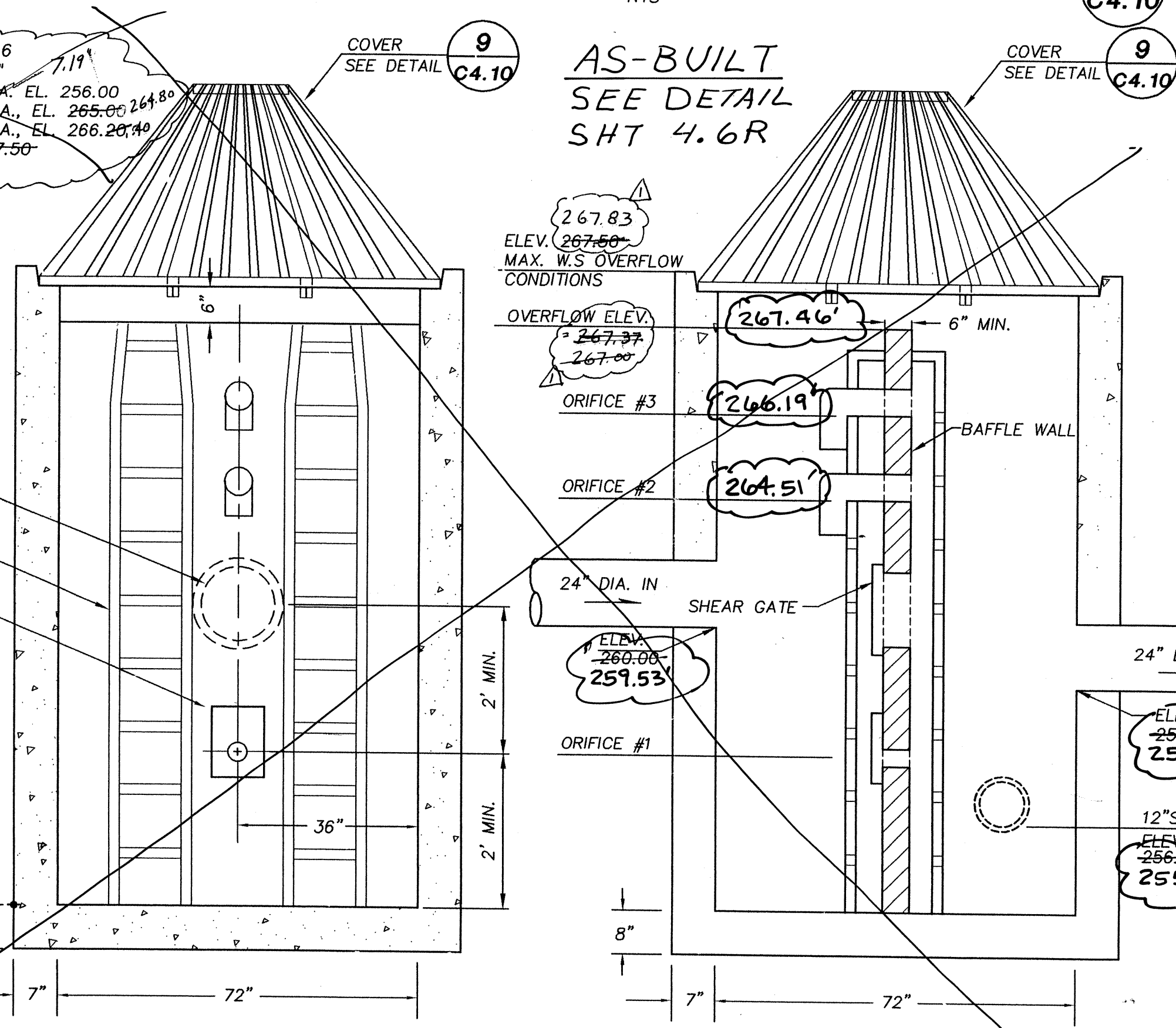
PLAN VIEW



HOOK CLAMP DETAIL

OVERFLOW STRUCTURE DETAIL 9 C4.10

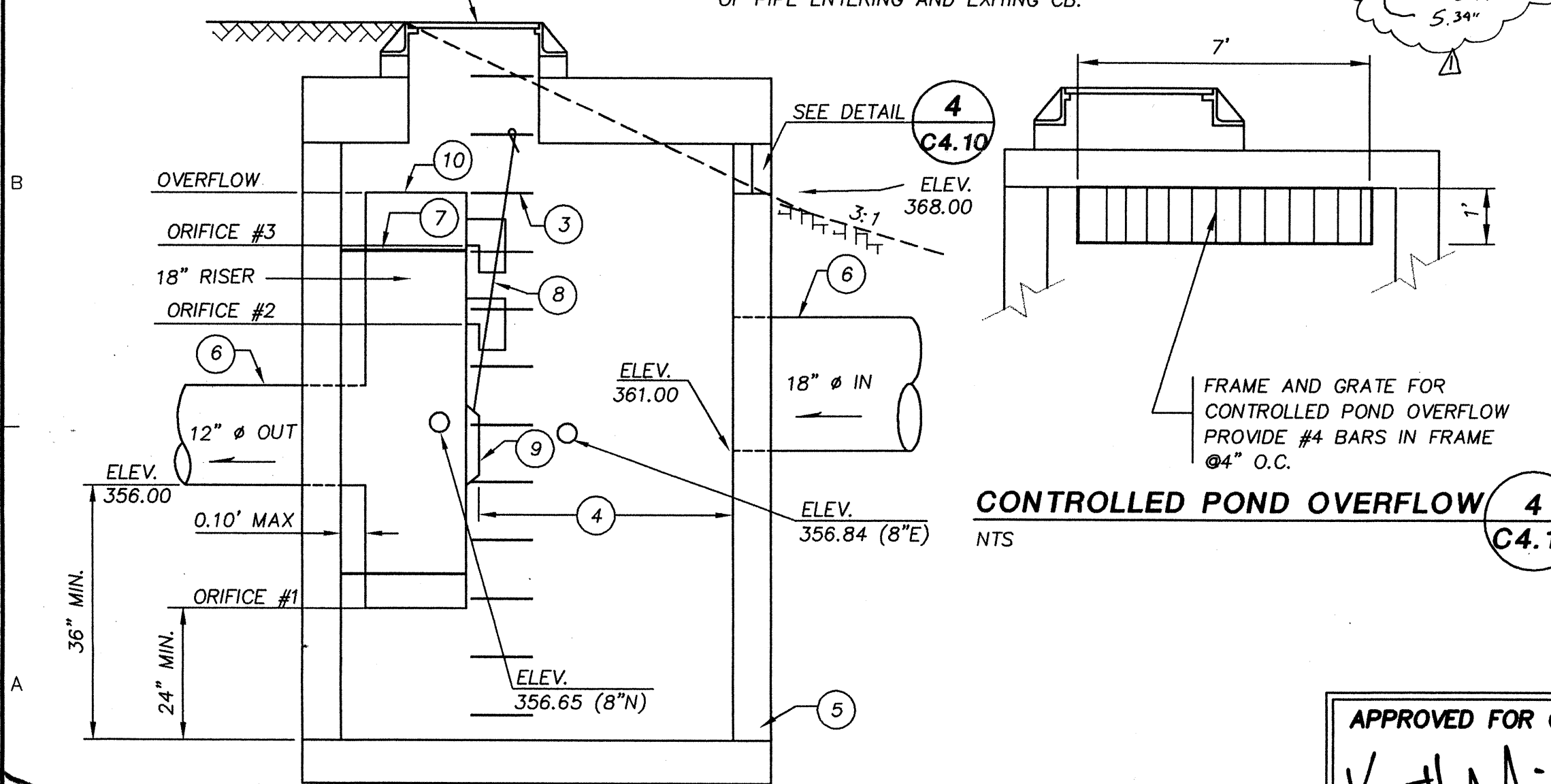
NTS AS-BUILT SEE DETAIL SHT 4.6R



SECTION A-A

SECTION B-B

REVISED 12/10/99 ASBUILT DRAWING



SOUTH POND CONTROL STRUCTURE 3 C4.10

CONTROLLED POND OVERFLOW 4 C4.10

NORTH POND CONTROL STRUCTURE 5 C4.10

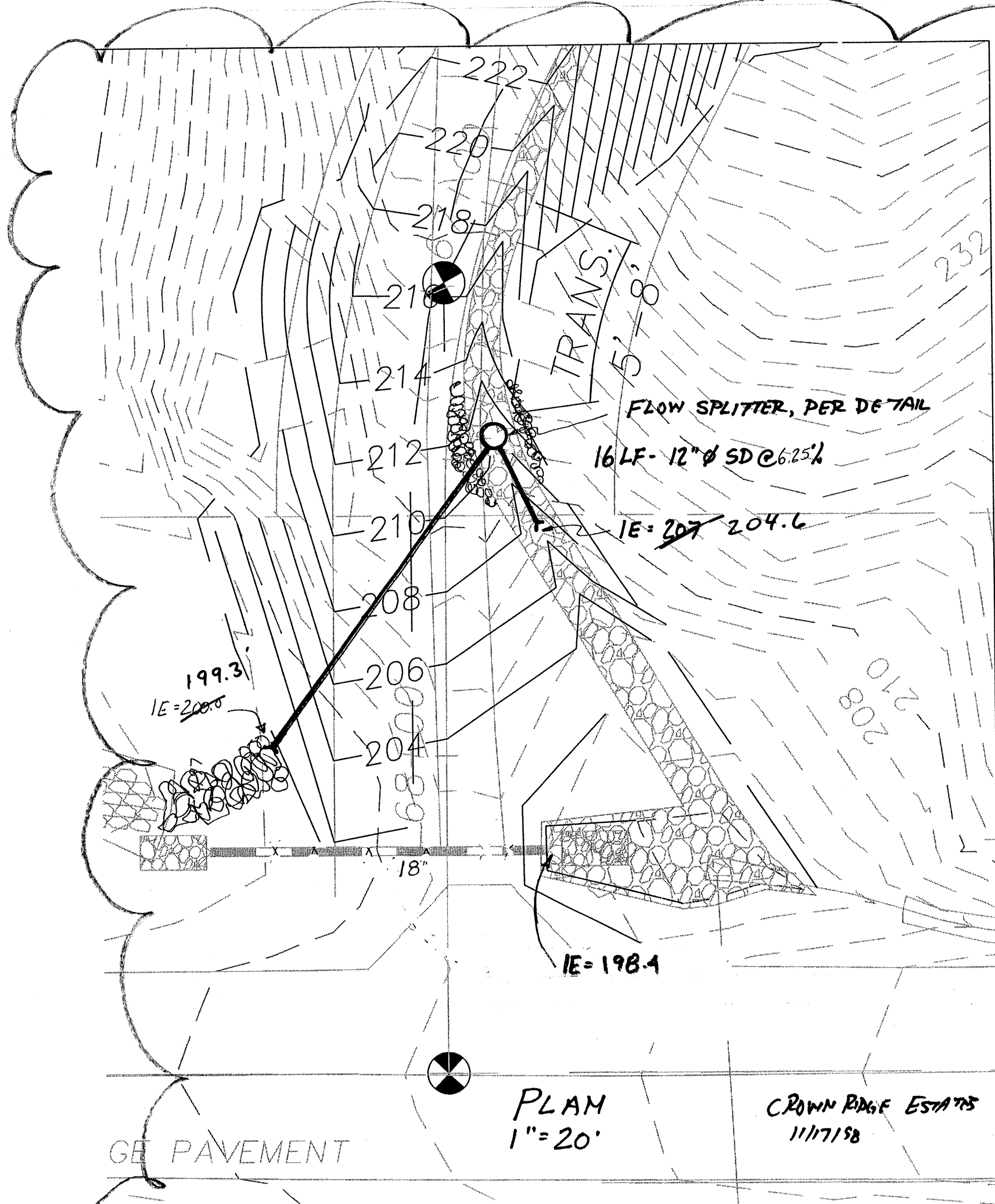
APPROVED FOR CONSTRUCTION
KEN REID
PUBLIC WORKS DIRECTOR
DATE 1/20/98

W&P PACIFIC
3025-112th Avenue N.E.
P.O. Box C-97304
Bellevue, WA 98009-9804
Phone: (425) 827-9250
Fax: (425) 822-5341
Landscape Architecture - Engineering Services

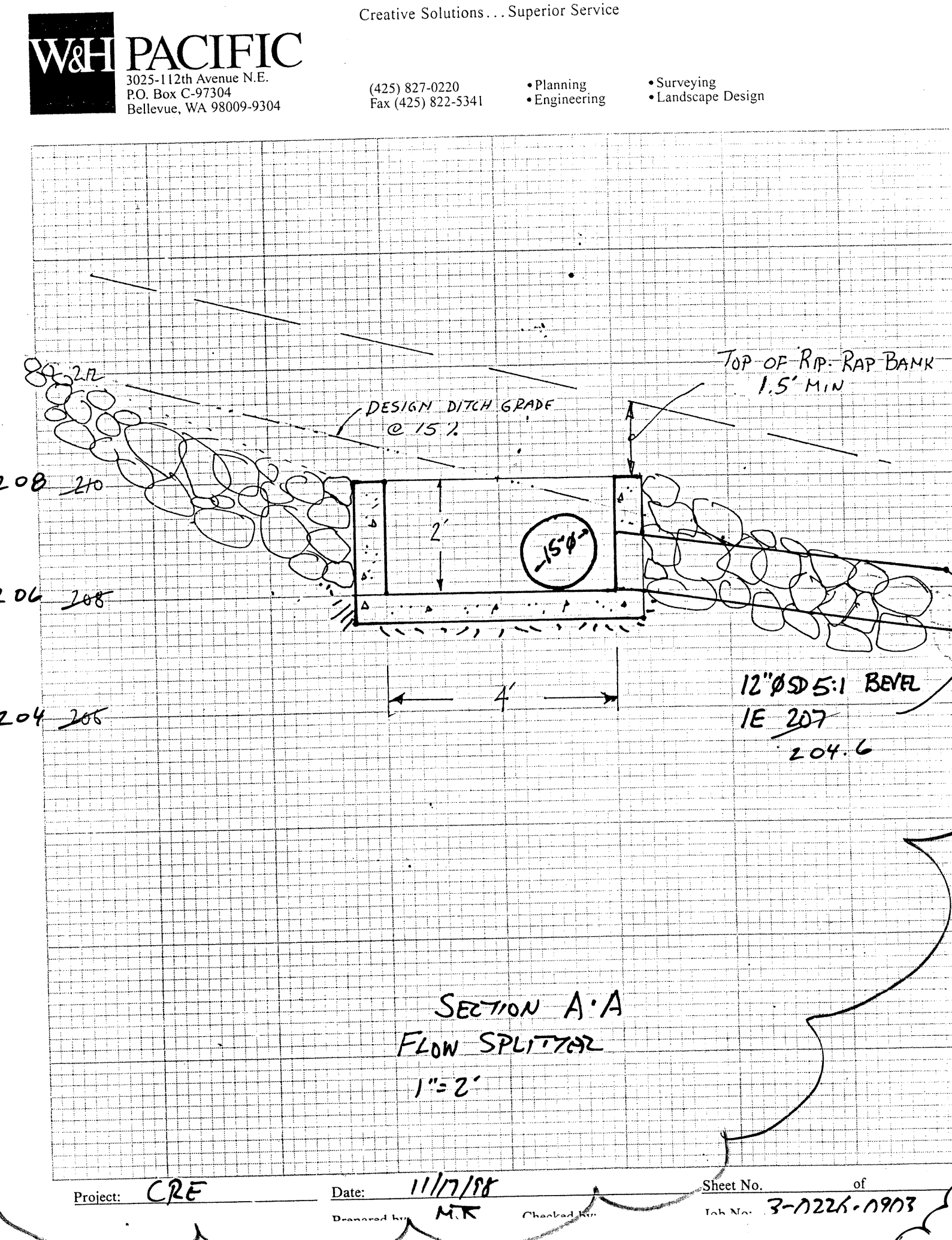
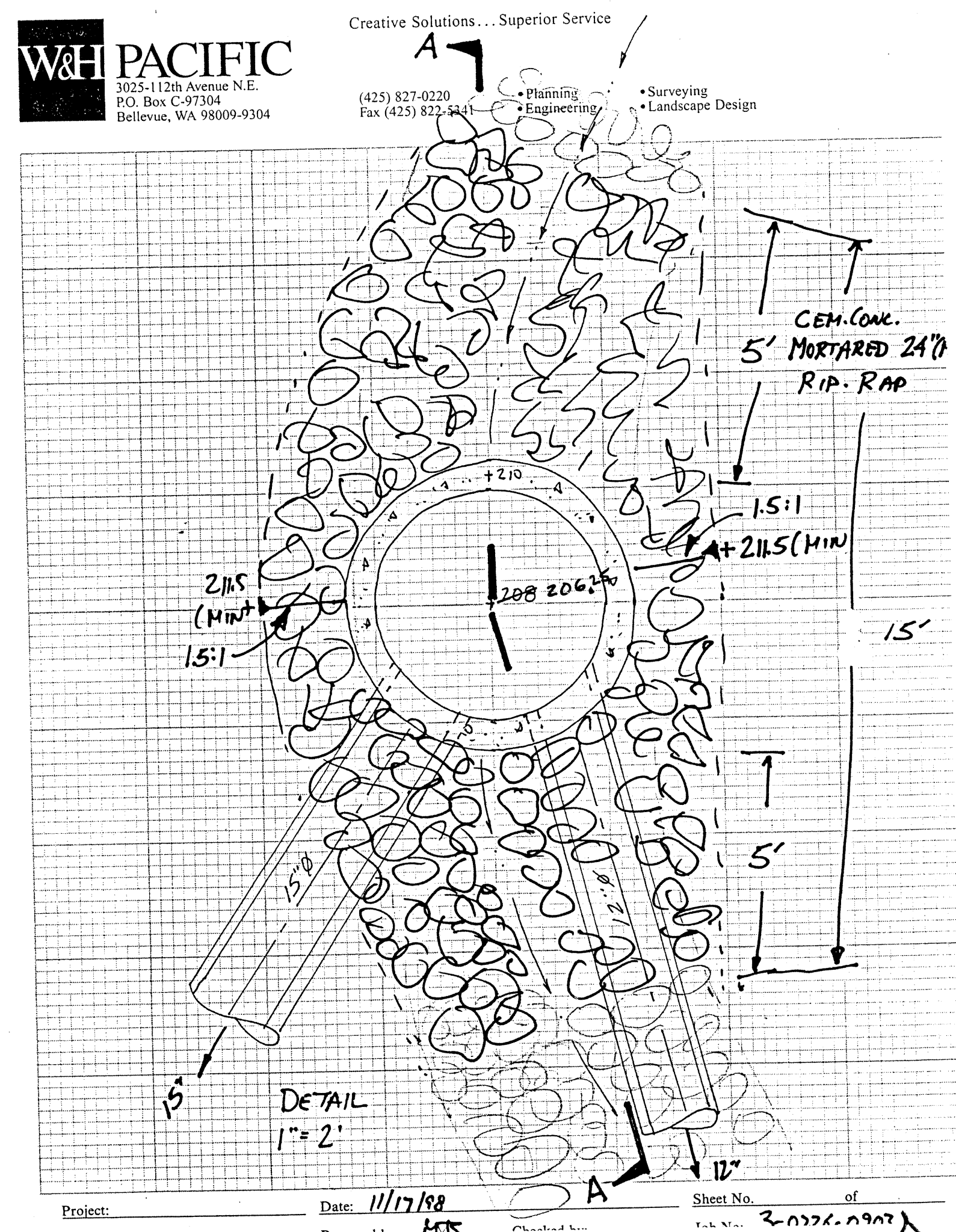
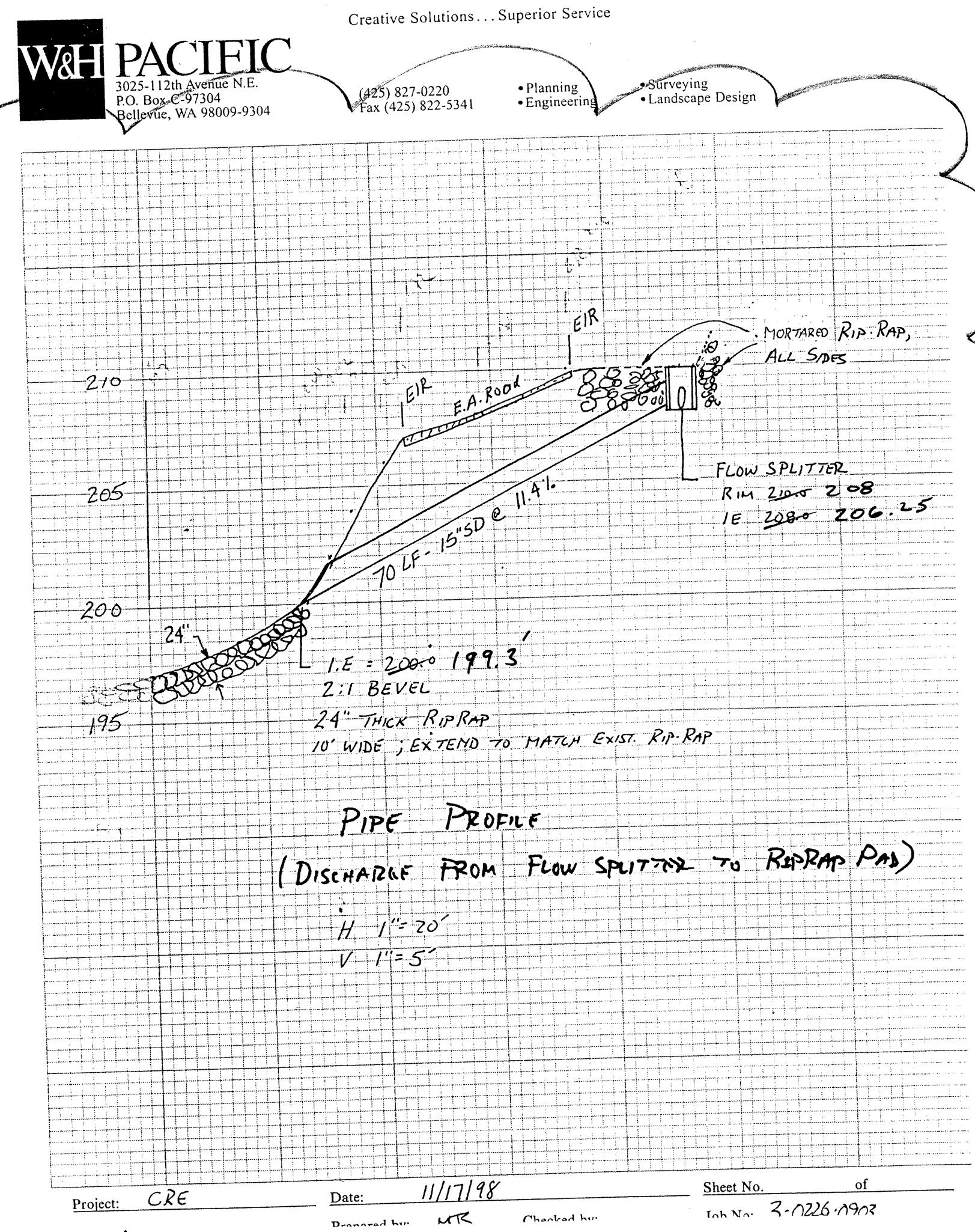
WIGAN DEVELOPMENT, INC.
CROWN RIDGE ESTATES & DETAILS
DETENTION POND NOTES & DETAILS
WASHINGTON
DRAWING FILE NAME: LCREDT04.DWG
PROJECT NO. 3-0226-0903
SCALE: AS SHOWN
ARLINGTON
EXPIRES 08/07/97

SEAL OF THE STATE OF WASHINGTON
LANDSCAPE ARCHITECT
1-11-98
EXPIRES 08/07/97

DESIGNED BY:	RAT	CHECKED BY:	
DRAWN BY:		APPROVED BY:	
DATE:	7/01/98	REVISION:	
	7/10/98	CITY COMMENTS:	
	7/14/98	RCA REVIEW COMMENTS:	
	7/14/98	RCA FOR CITY APPROVAL:	
	7/14/98	RCA 5-STEP: 2/10/98	
	11/25/98	MIS	
		CONTR. STRAUFER	
		MS	
		MS	
		MS	



SEE SHEET
4.6R FOR
AS-BUILTS
1-18-01



1/10/00
REVISED: 12/10/99
ASBUILT DRAWING

W&H PACIFIC
3025-112th Avenue N.E.
P.O. Box C-97304
Bellevue, WA 98009-9304

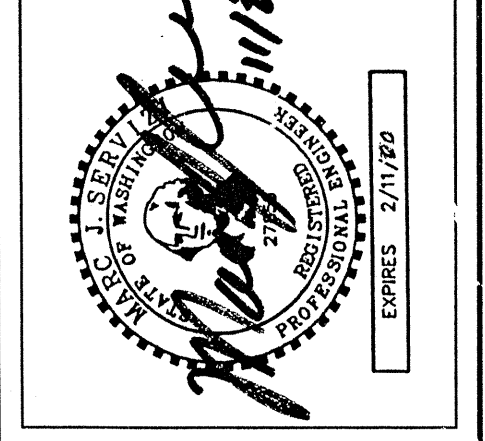
Creative Solutions... Superior Service
Planning • Surveying
Engineering • Landscape Design

W&H PACIFIC
3025-112th Avenue N.E.
P.O. Box C-97304
Bellevue, WA 98009-9304

Creative Solutions... Superior Service
Planning • Surveying
Engineering • Landscape Design

W&H PACIFIC
3025 112TH AVENUE NE
BELLEVUE, WA 98004-9304
WWW.WHPACIFIC.COM
TEL: (425) 827-0220 FAX: (425) 822-5341
Planning • Engineering • Surveying • Landscape Architecture

WIGAN DEVELOPMENT, INC.
CROWN RIDGE ESTATES
FLOW SPLITTER DETAILS
WASHINGTON
DRAWING FILE NAME: XXXXXXXX.DWG
PROJECT NO: 3-0226-0903
ARLINGTON / SNOHOMISH
SCALE:

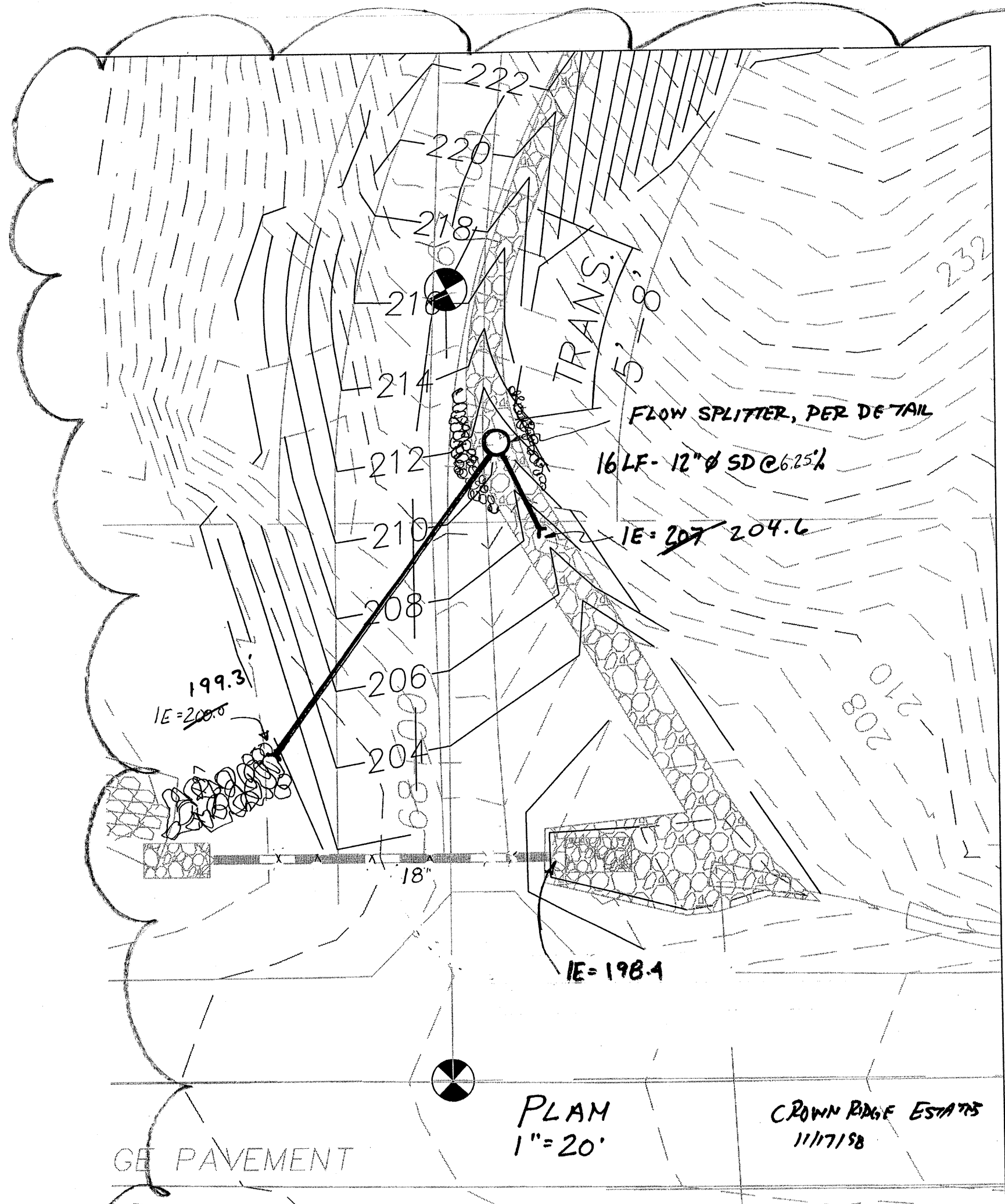


DESIGNED BY: STP	CHECKED BY:
DRAWN BY: STP	APPROVED BY:
DATE:	REVISION:
	CK'D:
	APPR.:

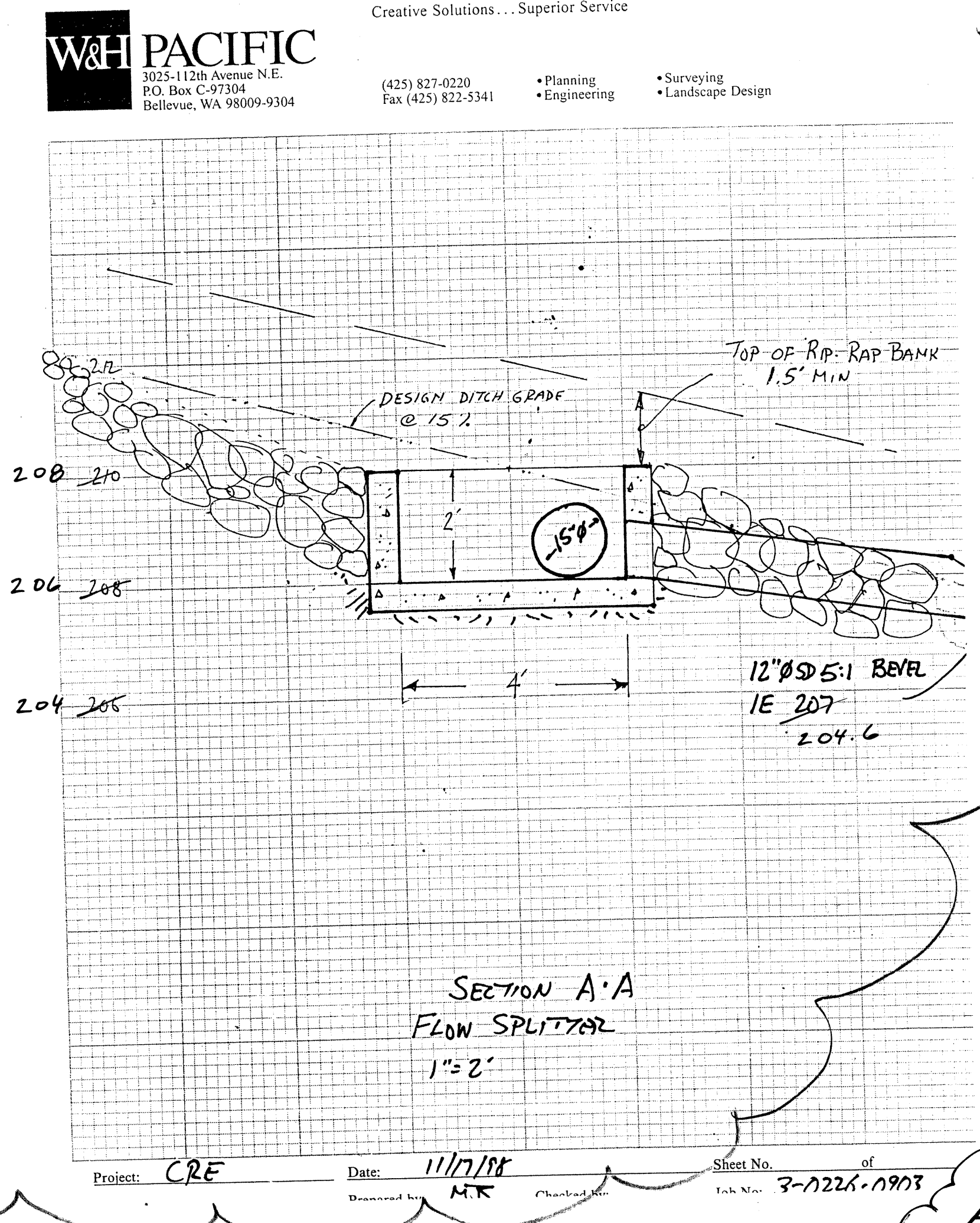
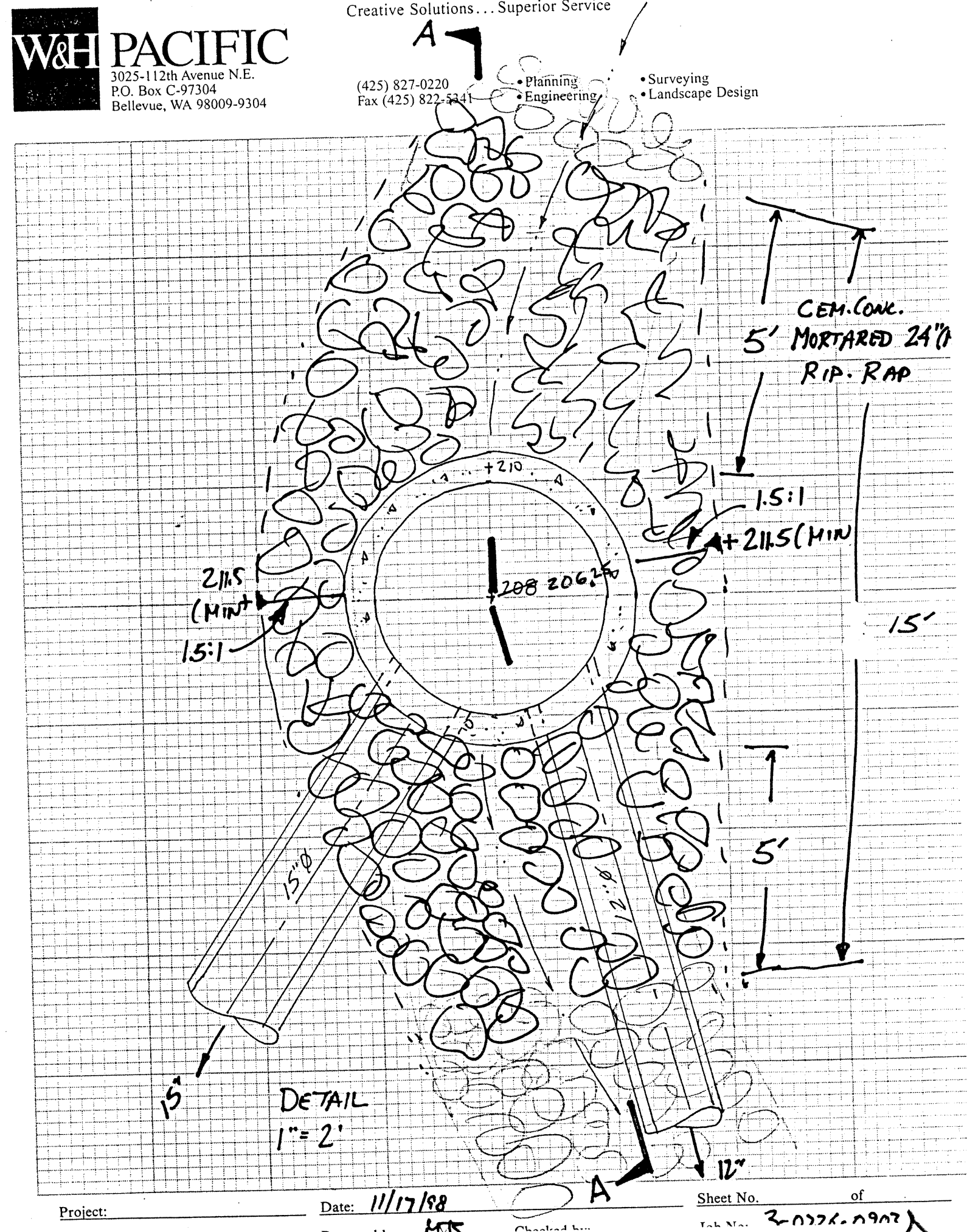
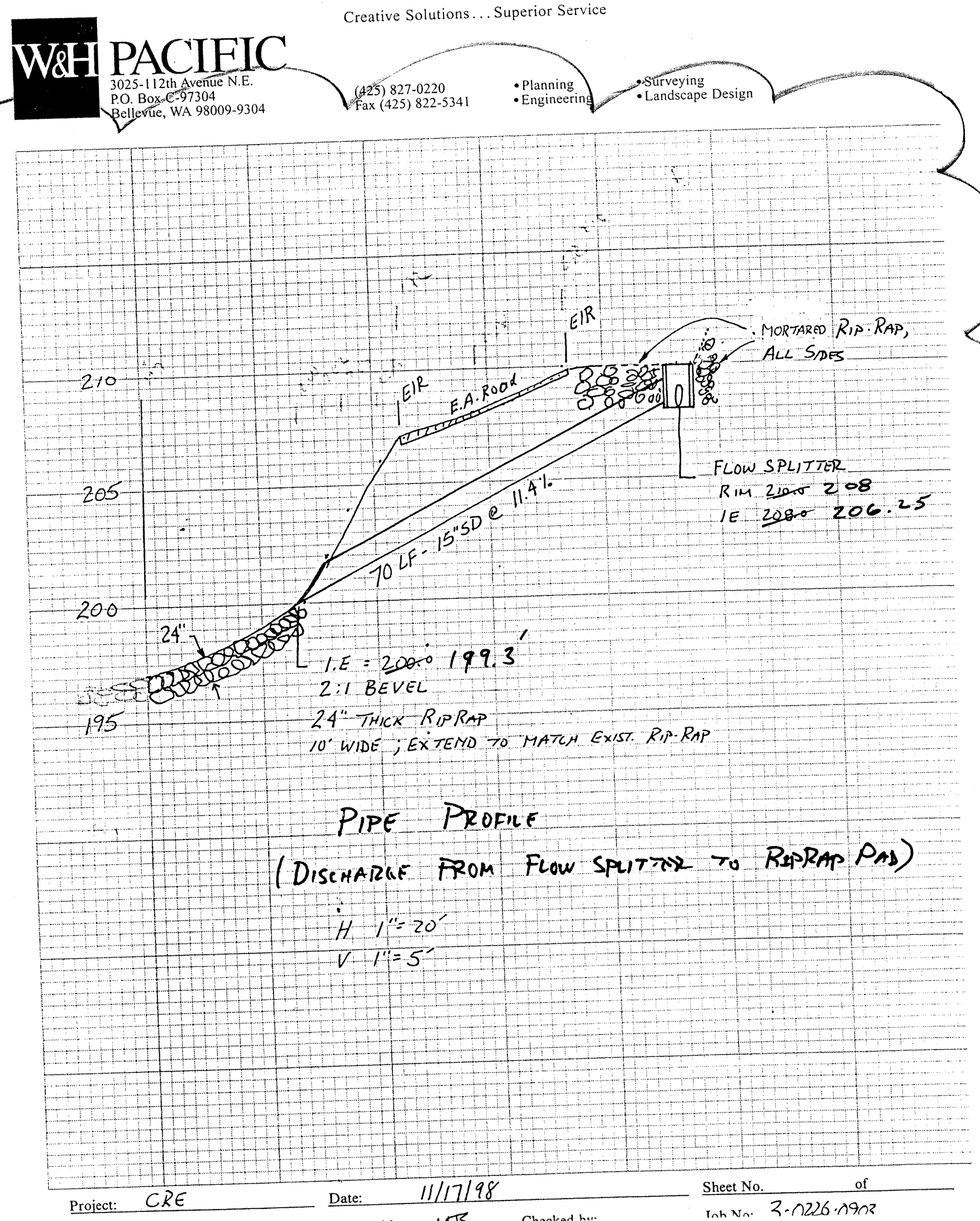
SHEET
C4.11

SECTION, TOWNSHIP, RANGE:

PLOT DATE: 11/19/98
LAST EDIT: L-E



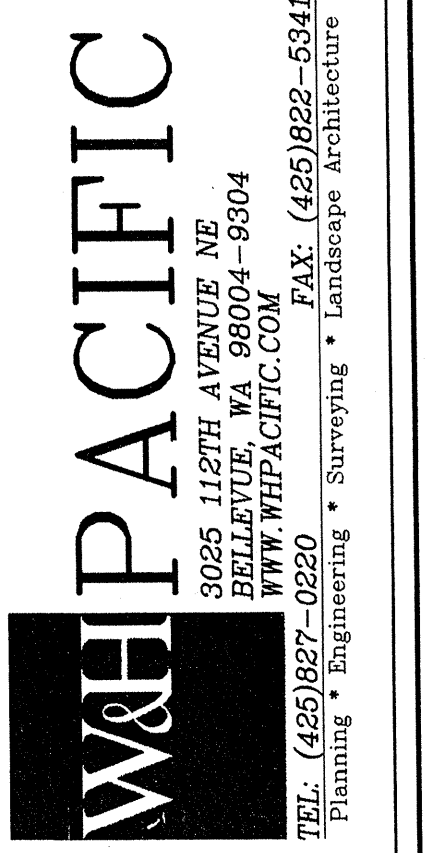
SEE SHEET
4.6R FOR
AS-BUILTS
1-18-01



REVIS¹: 1/10/00
ASBUILT DRAWING

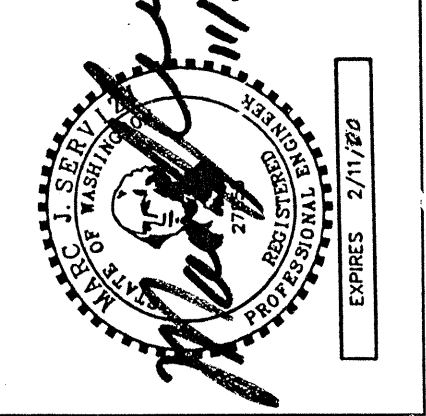
Project: CRE Date: 11/17/98 Sheet No. of 3-0226-0903
Drawn by: MKR Checked by: [Signature]

Project: CRE Date: 11/17/98 Sheet No. of 3-0226-0903
Drawn by: MKR Checked by: [Signature]



WASHINGTON
DRAWING FILE NAME: XXXXXXXX.DWG
PROJECT NO. 3-0226-0903

ARLINGTON / SNOHOMISH
SCALE:



DESIGNED BY: STP	CHECKED BY: STP	APPROVED BY: [Signature]
DRAWN BY: STP	REVISION	CR'D APPR
DATE		

SHEET
C4.11