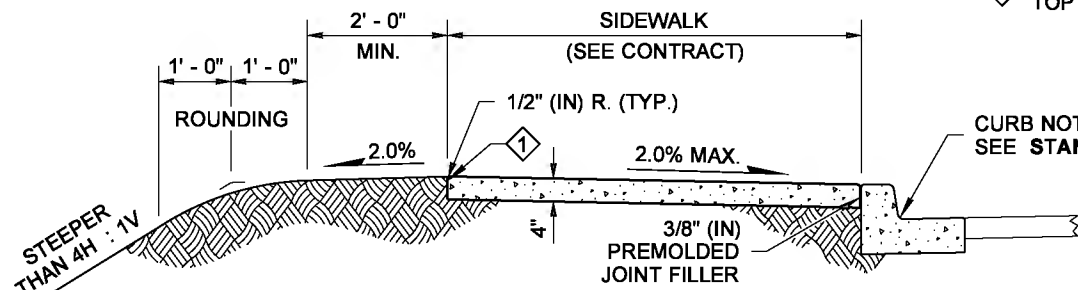
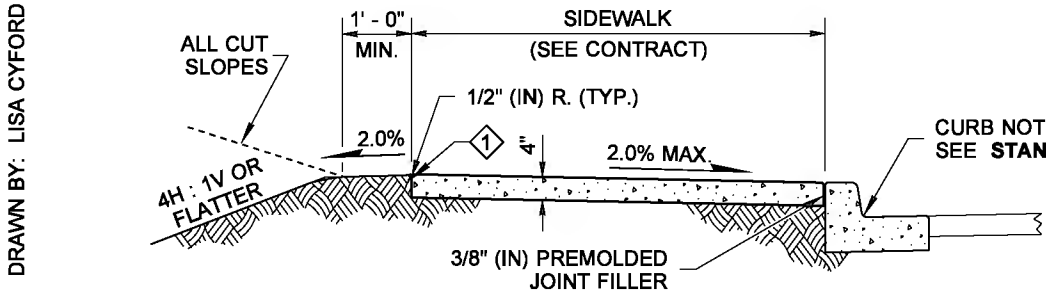


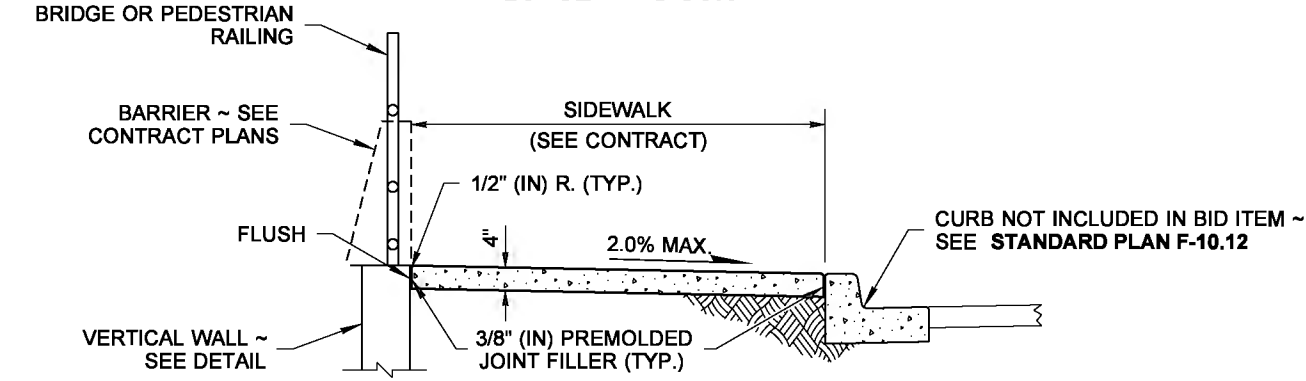
**WITH RAISED EDGE**



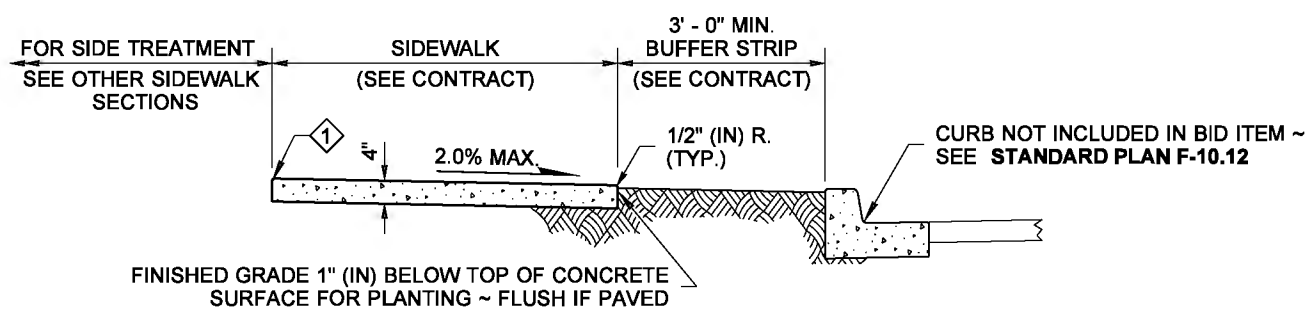
**ADJACENT TO CURB  
(STEEP FILL SLOPES)**



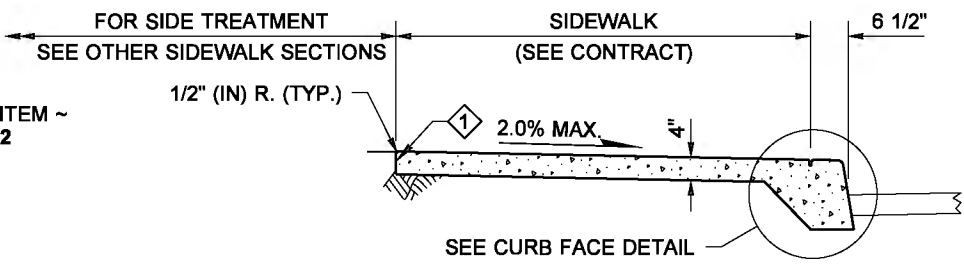
**ADJACENT TO CURB  
(ALL CUT SLOPES)**



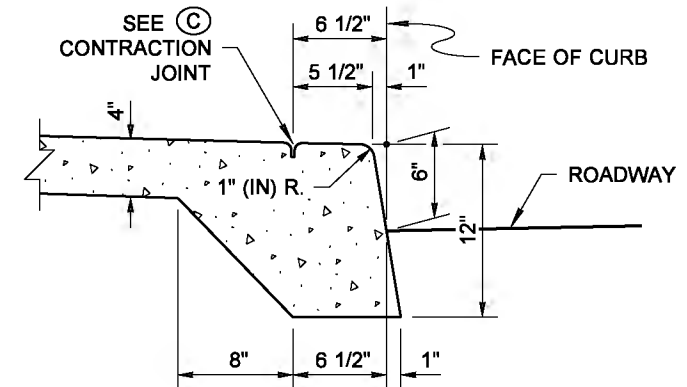
**ADJACENT TO CURB AND RAILING OR WALL**



**ADJACENT TO BUFFER STRIP**



**MONOLITHIC CEMENT CONCRETE  
CURB AND SIDEWALK**



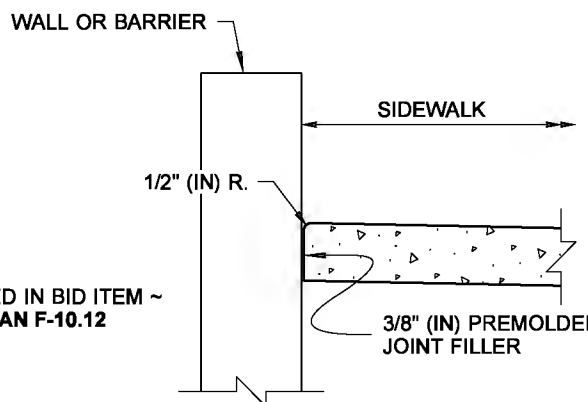
**CURB FACE DETAIL**

EXTEND SIDEWALK TRANSVERSE EXPANSION JOINTS TO INCLUDE CURB (FULL DEPTH)

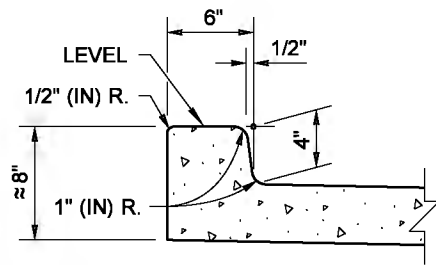
1 FINISHED GRADE 1" (IN) BELOW TOP OF CONCRETE SURFACE

**NOTE**

- Four feet of the sidewalk width shall be the minimum pedestrian accessible route free of vertical and horizontal obstructions. Gratings, Access Covers, Junction Boxes, Cable Vaults, Pull Boxes and other appurtenances within the sidewalk must have slip resistant surfaces, be flush with surface, and match grade of the sidewalk.

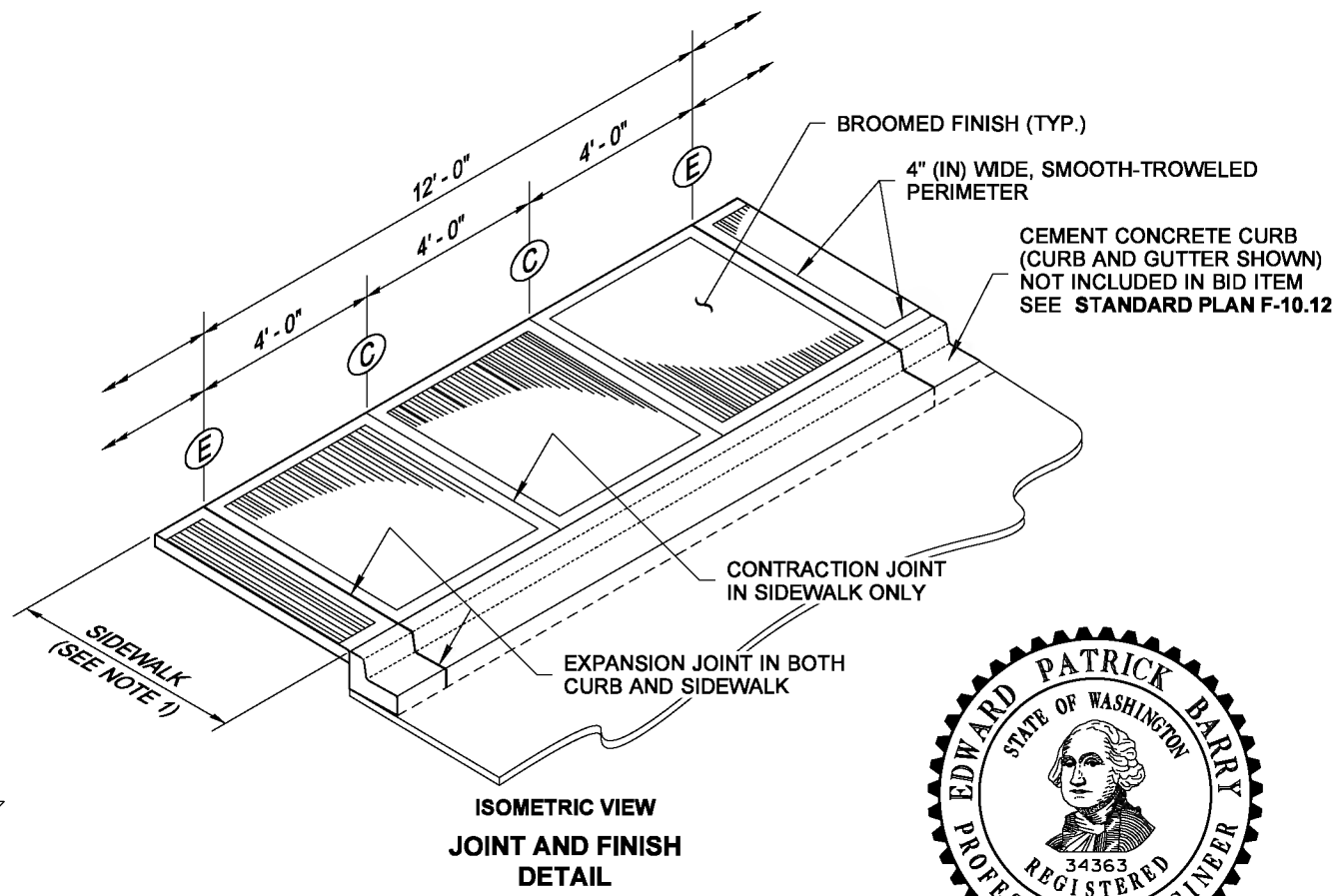


**SIDEWALK ADJACENT TO WALL DETAIL**

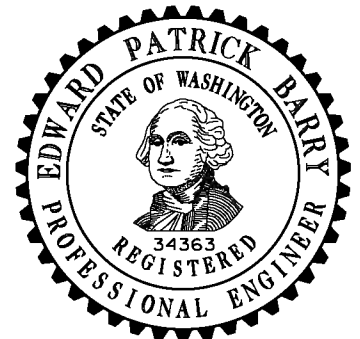


**RAISED EDGE DETAIL**

EXTEND SIDEWALK TRANSVERSE JOINTS TO INCLUDE RAISED EDGE



**ISOMETRIC VIEW  
JOINT AND FINISH  
DETAIL**

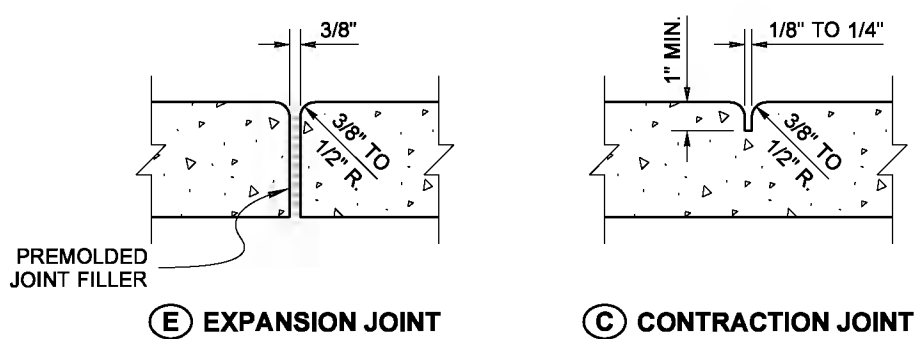


**CEMENT CONCRETE  
SIDEWALK  
STANDARD PLAN F-30.10-03**

SHEET 1 OF 1 SHEET

APPROVED FOR PUBLICATION

STATE DESIGN ENGINEER  
Washington State Department of Transportation



**(E) EXPANSION JOINT**

**(C) CONTRACTION JOINT**