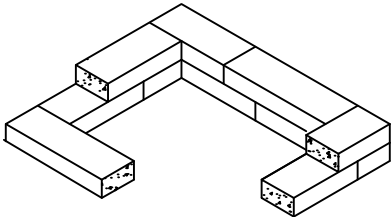
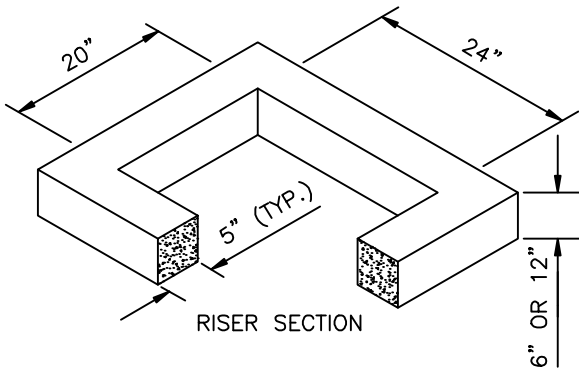


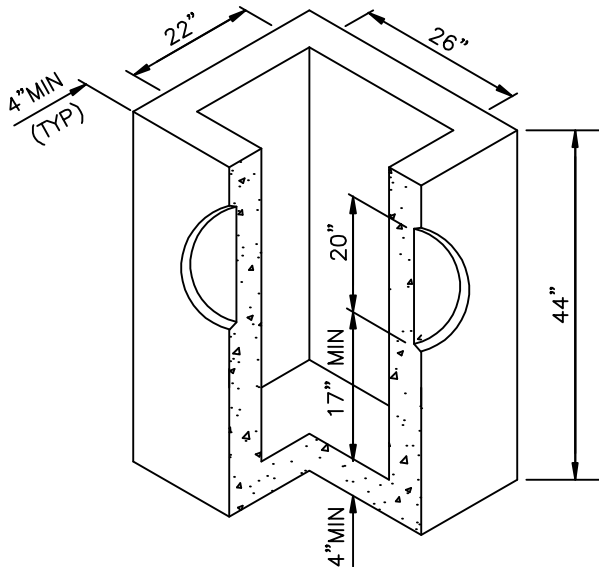
FRAME AND GRATE (OR SOLID COVER),
SEE APPLICABLE STANDARD DETAILS



2"X4"X8" SOLID BRICK USED FOR FINAL
ADJUSTMENT TO GRADE, 6" HIGH MAX.



RISER SECTION



PRE-CAST BASE SECTION
(MEASUREMENT AT THE TOP OF THE BASE)

NOTES:

1. CONCRETE INLET TO BE CONSTRUCTED IN ACCORDANCE WITH ASTM C478 & C890 UNLESS OTHERWISE SHOWN ON THE PLANS OR NOTED IN THE STANDARD SPECIFICATIONS. ALL CONCRETE SHALL BE CLASS 4000.
2. REINFORCING SHALL BE EQUIVALENT TO WELDED WIRE FABRIC (WWF) HAVING A MINIMUM AREA OF 0.12 SQUARE INCH PER FOOT. WWF SHALL COMPLY TO ASTM A497. WWF SHALL NOT BE PLACED IN KNOCKOUTS.
3. THE BOTTOM OF THE PRE-CAST BASE SECTION MAY BE ROUNDED.
4. PRE-CAST BASES SHALL BE FURNISHED WITH CUTOUTS OR KNOCKOUTS. KNOCKOUTS SHALL HAVE A WALL THICKNESS OF 2" MIN. ALL PIPE SHALL BE INSTALLED IN FACTORY PROVIDED KNOCKOUTS. UNUSED KNOCKOUTS NEED NOT BE GROUTED IF WALL IS LEFT INTACT.
5. KNOCKOUT OR CUTOUT HOLE SIZE IS EQUAL TO PIPE OUTSIDE DIAMETER PLUS CATCH BASIN WALL THICKNESS. KNOCKOUTS MAY BE ROUND OR "D" SHAPED AND MAY BE ON ALL 4 SIDES WITH MAXIMUM DIAMETER OF 20".
6. THE MAXIMUM DEPTH FROM THE FINISHED GRADE TO THE PIPE INVERT IS 5'-0".
7. THE TAPER ON THE SIDES OF THE PRE-CAST BASE SECTION AND RISER SECTION SHALL NOT EXCEED 1/2" PER FOOT.
8. FRAME AND GRATE SHALL BE IN ACCORDANCE WITH WSDOT/APWA SPECIFICATIONS. MATING SURFACES SHALL BE FINISHED TO ASSURE NON-ROCKING FIT WITH ANY COVER POSITION.
9. FRAME AND GRATE MAY BE INSTALLED WITH FLANGE DOWN OR CAST INTO RISER.
10. EDGE OF RISER OR BRICK SHALL NOT BE MORE THAN 2" FROM VERTICAL EDGE OF CATCH BASIN WALL.



APPROVED BY	L. OLIVE
DATE	07/31/2008
REF STAN SPEC	

DEPARTMENT OF PUBLIC WORKS
STANDARD DETAIL

CATCH BASIN TYPE 1

STANDARD DETAIL
NUMBER

SD-020