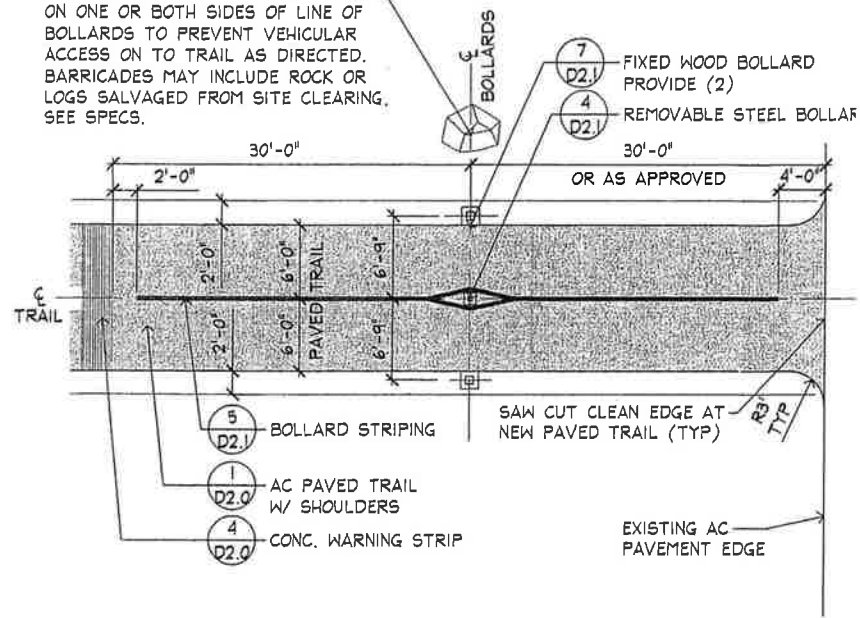


PROVIDE ADDITIONAL BARRICADES ON ONE OR BOTH SIDES OF LINE OF BOLLARDS TO PREVENT VEHICULAR ACCESS ON TO TRAIL AS DIRECTED. BARRICADES MAY INCLUDE ROCK OR LOGS SALVAGED FROM SITE CLEARING, SEE SPECS.

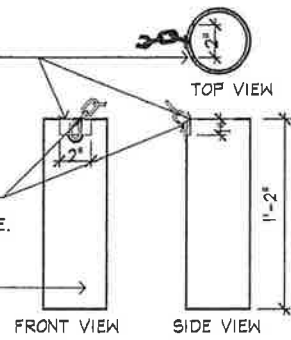


1 TYPICAL APPROACH TO CROSSING

SCALE: 1/8" = 1'-0"

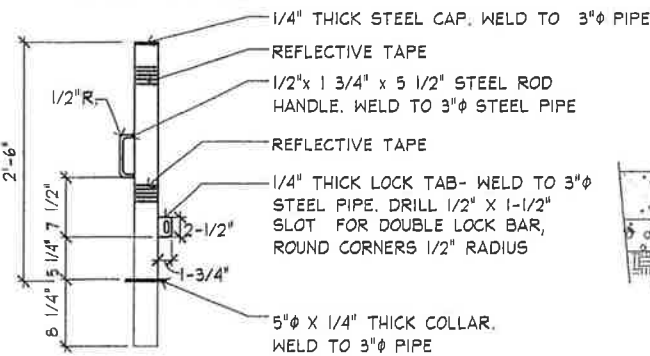
CUT AND REMOVE 1" X 2" SLOT IN 4" PIPE TO ACCOMMODATE CHAIN. GRIND EDGES SMOOTH.

1/4" STEEL CHAIN, 10" LENGTH. WELD TO 4" PIPE.
1'-2" LONG, 4" SCH 40 STEEL PIPE

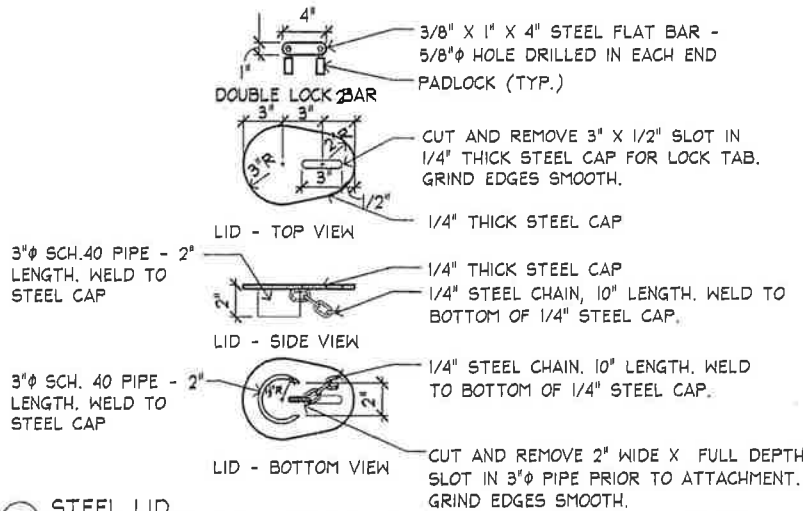


C GALVANIZED PIPE SLEEVE

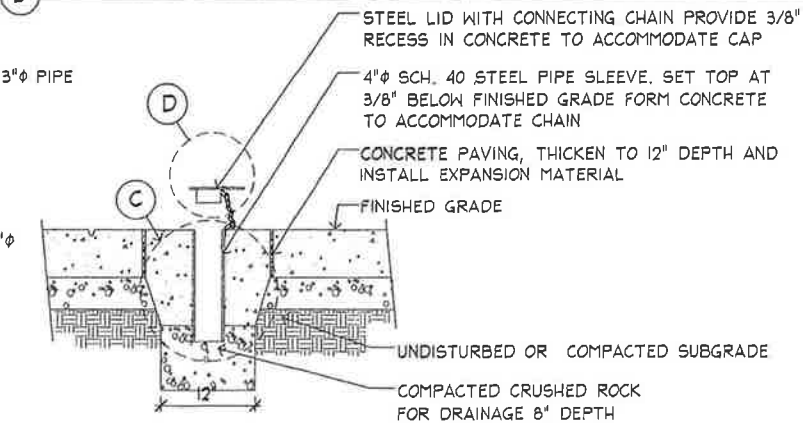
5" COLLAR
3" SCH. 40 STEEL PIPE
STEEL LOCK TAB
STEEL ROD HANDLE
BOLLARD PLAN VIEW



A BOLLARD ELEVATION



D STEEL LID

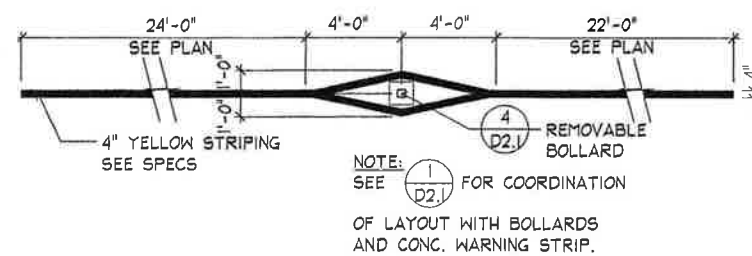


B SLEEVE IN CONCRETE SECTION VIEW

4 REMOVABLE STEEL BOLLARD

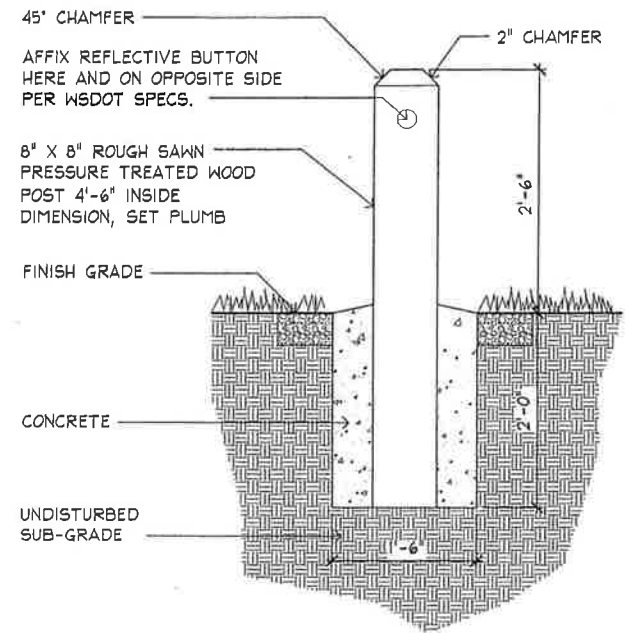
SCALE: NOT TO SCALE

REVISIONS:	DATE



5 BOLLARD STRIPING

SCALE: 1/4" = 1'-0"



7 FIXED WOOD BOLLARD

SCALE: 1" = 1'-0"

CENTENNIAL TRAIL		SHEET
SCALE: AS NOTED	CONSTRUCTION DETAILS	D2.1
DATE:		
DRAWN BY:		
CHECKED BY:		
JOB NO.:		