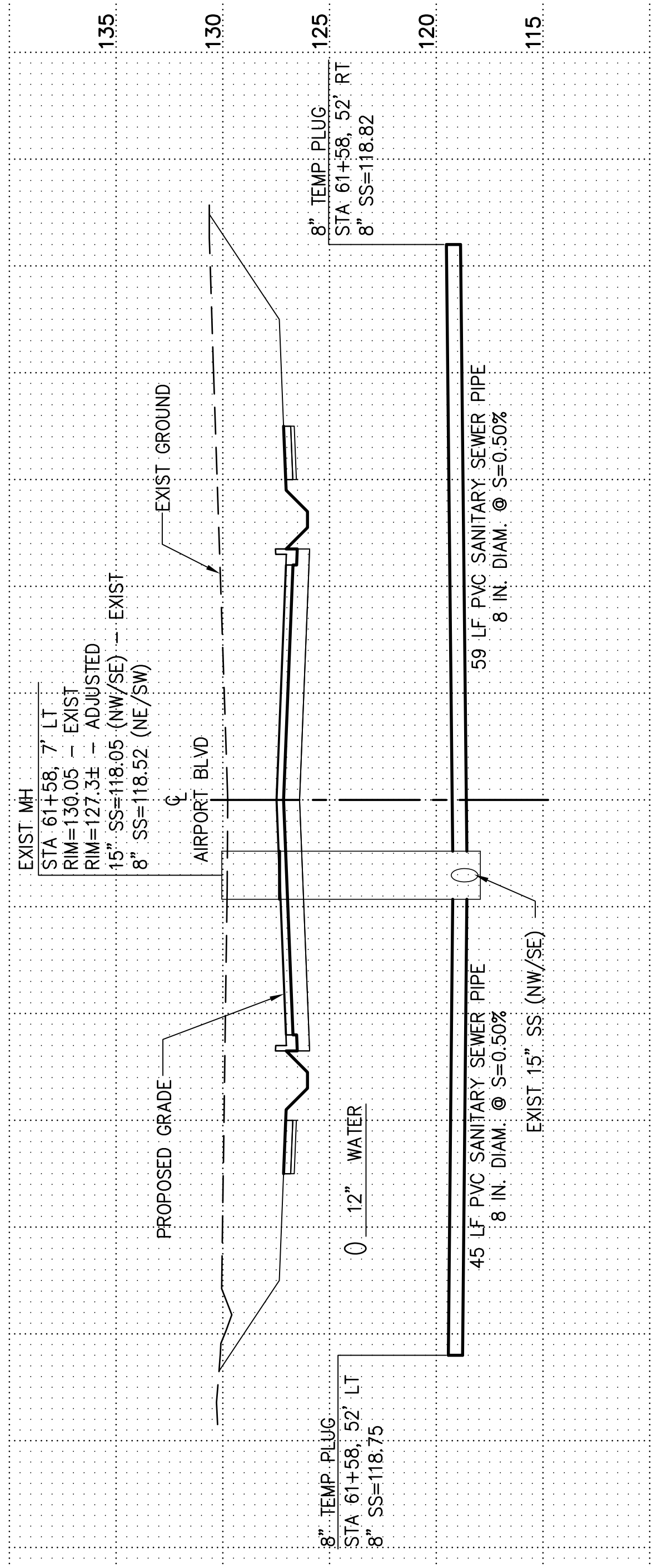
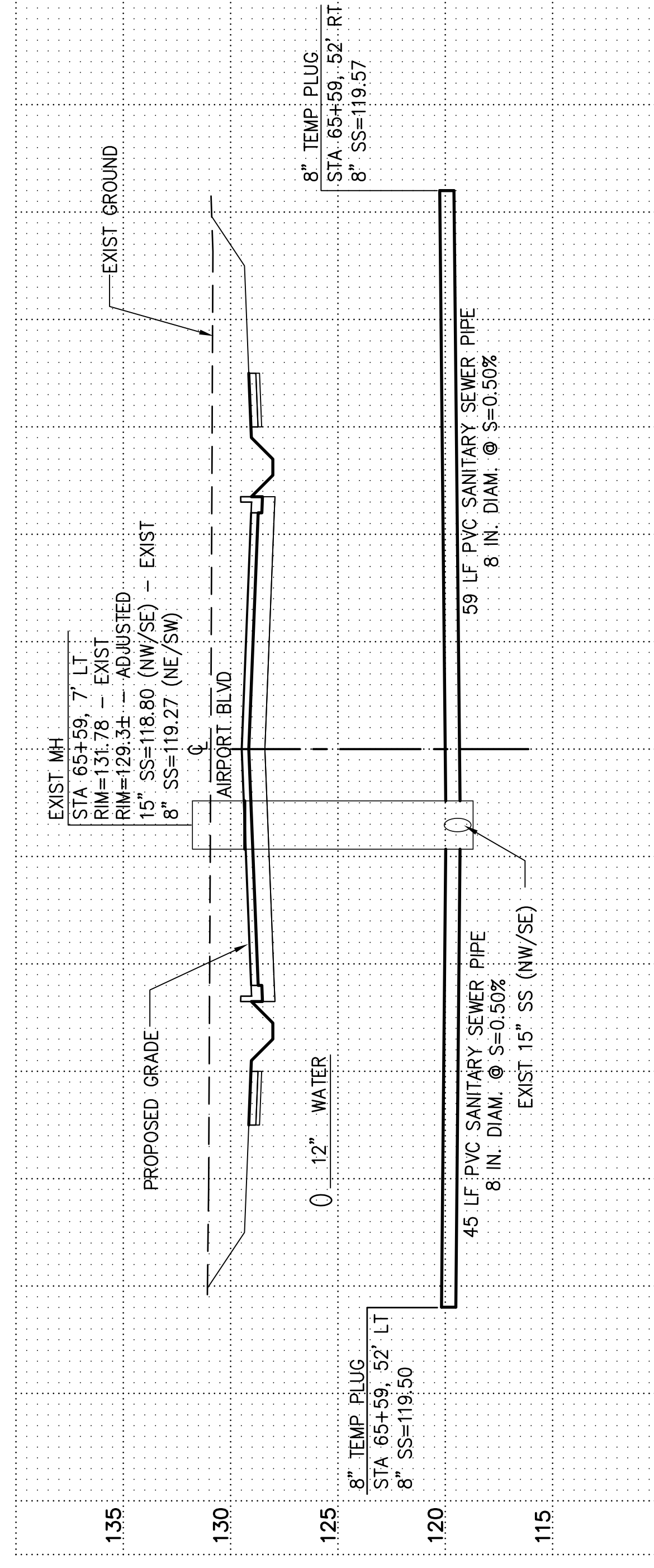


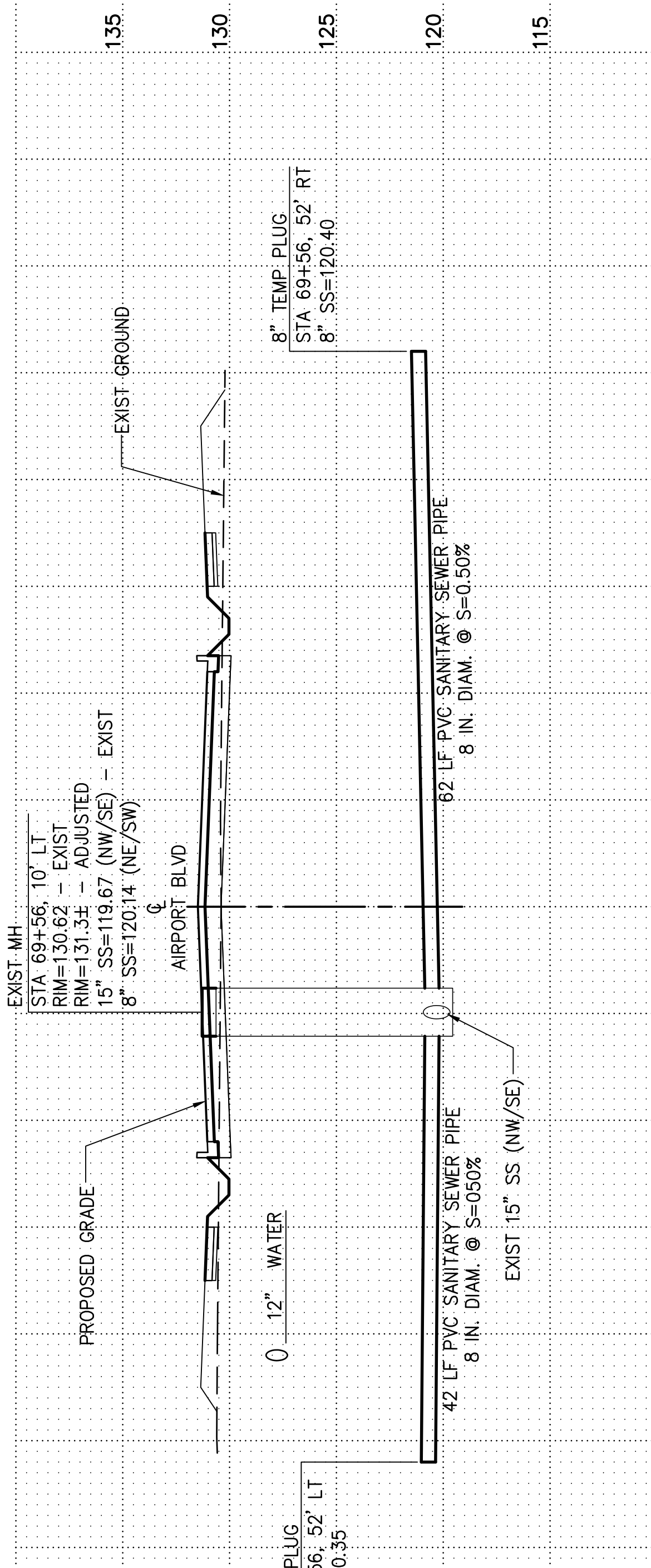
1 SS PROFILE — STA 57+56
 SCALE: HOR. 1"=10'
 VERT. 1"=5'



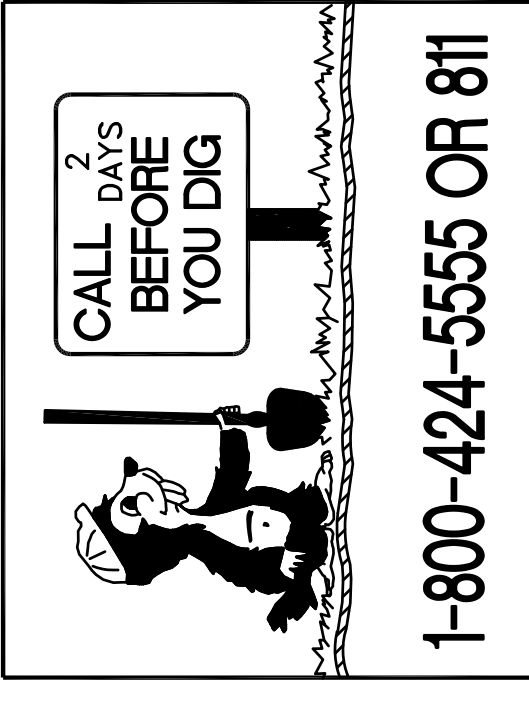
2 SS PROFILE — STA 61+58
 SCALE: HOR. 1"=10'
 VERT. 1"=5'



3 SS PROFILE — STA 65+59
 SCALE: HOR. 1"=10'
 VERT. 1"=5'

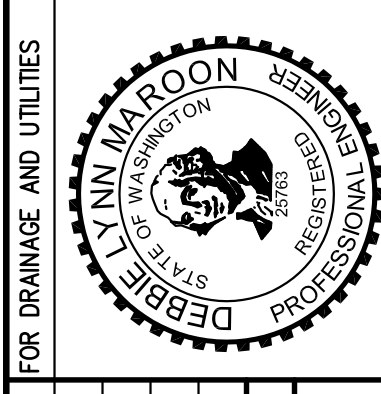


4 SS PROFILE — STA 69+56
 SCALE: HOR. 1"=10'
 VERT. 1"=5'

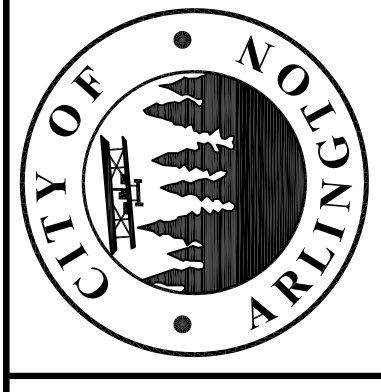


PLAN CHECK	BY	DATE

DESIGNED BY:	DATE	NO.	REVISION	BY
DLM				
DRAWN BY:				
MPN				



APPROVED FOR CONSTRUCTION
 JAMES KELLY, PE
 PUBLIC WORKS DIRECTOR
 DATE APPROVED:



AECOM
 701 Fifth Avenue, Suite 1100
 Seattle, WA 98104
 T 206.674.4200
 WWW.AECOM.COM

CITY OF ARLINGTON
 AIRPORT BOULEVARD ROAD IMPROVEMENTS
 SANITARY SEWER PROFILES

REFERENCE SHEET NO.	SP1
SHEET OF	
SHEETS	