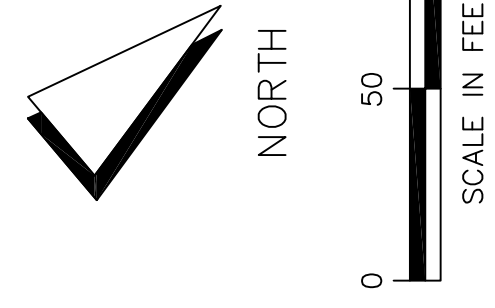
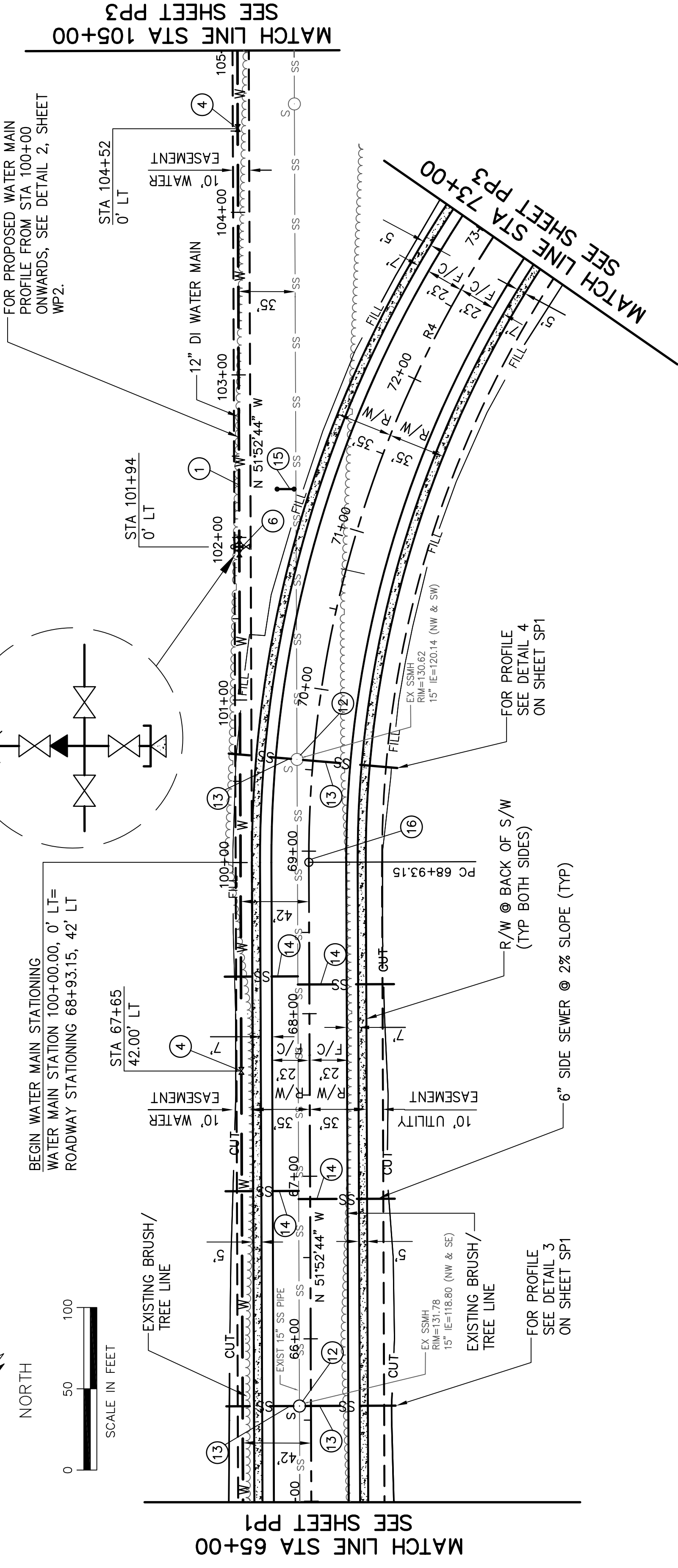


SEC 21 T31N R5E WM



BEGIN WATER MAIN STATIONING
WATER MAIN STATION 100+00.00, 0' LT=
ROADWAY STATIONING 68+93.15, 42' LT



CURB CUT DATA TABLE	
STA (LT & RT)	
65+00	
65+50	
66+00	
66+50	
67+00	
67+50	
68+00	
68+50	
69+00	
69+50	
70+00	
70+50	
71+00	
71+50	
72+00	
72+50	
73+00	

CONSTRUCTION NOTES

1. INSTALL DUCTILE IRON PIPE FOR WATER MAIN 12 IN. DIAM.
4. INSTALL 12" GATE VALVE MAXIMUM AND VALVE BOX PER CITY STANDARD DETAIL W-190.
6. INSTALL 12" FLANGED CROSS WITH 3-12" GATE VALVES FLX MJ (NW, NE & SE) 1-12"x6" REDUCER FLX FL 1-6" GATE VALVE FLX MJ AND VALVE BOX PER CITY STANDARD DETAIL W-190. INSTALL 1-12" PLUG MJ (NE) INSTALL FIRE HYDRANT ASSEMBLY (SW) PER CITY STANDARD DETAIL W-010 WITH FIRE HYDRANT CONCRETE PAD PER CITY STANDARD DETAIL W-020.
12. ADJUST SANITARY SEWER MANHOLE TO GRADE. SEE SHEET SP1 FOR RM ELEVATIONS.
13. INSTALL PVC SANITARY SEWER PIPE 8 IN. DIAM. CONNECT 8" SANITARY SEWER LINE TO EXISTING MANHOLE. INSTALL TEMPORARY PLUG AT END OF LINE AND PROVIDE SURFACE MARKER PER CITY OF ARLINGTON STANDARD DETAIL SS-090. SEE SHEET SP1 FOR PROFILES.
14. INSTALL 6" SIDE SEWER STUB PER CITY STANDARD DETAIL SS-090. CONNECT 6" SIDE SEWER TO EXISTING 15" SANITARY SEWER PER DETAIL SS-100.
15. STA 71+00. LT. RELOCATED CHAIN LINK GATE (10' WIDE x 6' HIGH) & END POSTS FROM STA 55+13.5, LT (SHT PPI). EXACT LOCATION TO BE DETERMINED BY ENGINEER.
16. INSTALL MONUMENT CASE AND COVER PER CITY STANDARD DETAIL R-130.
STA 68+93.15, 0' LT.

CURVE TABLE

NUMBER	DELTA ANGLE	TANGENT	RADIUS	ARC LENGTH
R4 *	53°12'49"	350.64'	700.00'	650.13'

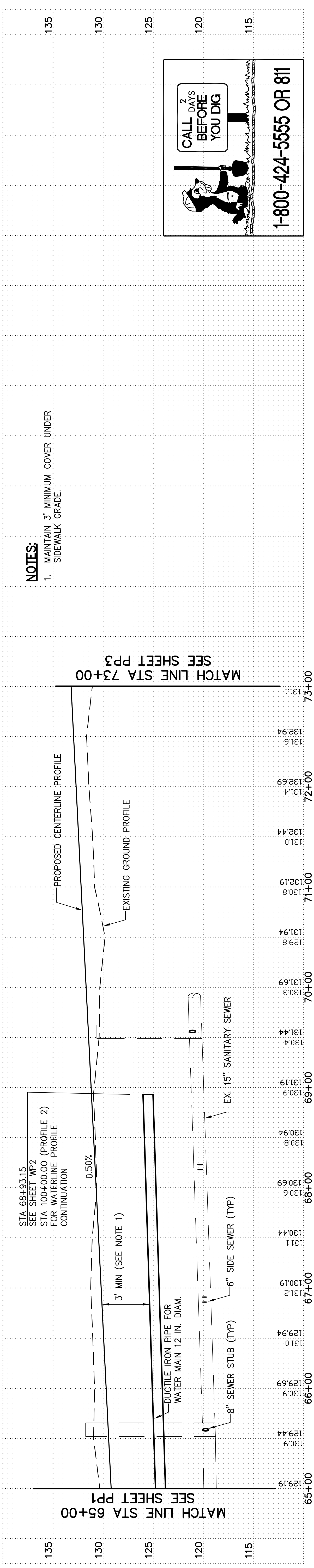
* NOTE:

PI STA 72+43.79
N 427,380.20
E 1,512,180.26

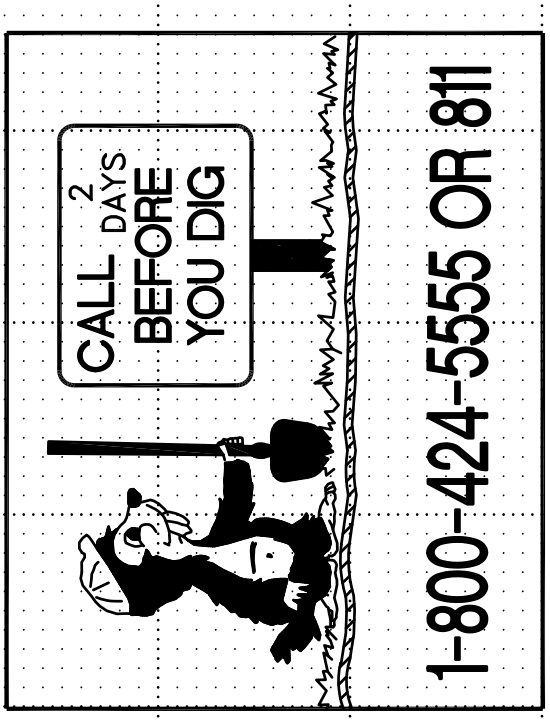
SIDE SEWER DATA TABLE

STA.	OFFSET	IE
66+86	52' RT	120.78
66+91	52' LT	120.52
66+18	52' RT	121.22
68+23	52' LT	120.96

AIRPORT BOULEVARD



NOTES:
1. MAINTAIN 3" MINIMUM COVER UNDER SIDEWALK GRADE.



<p>PLAN CHECK BY: _____ DATE: _____</p> <p>DESIGNED BY: BUH & DLM</p> <p>REVISION _____ BY: _____</p> <p>DRAWN BY: MPN</p>	<p>APPROVED FOR CONSTRUCTION</p> <p>JAMES KELLY, PE PUBLIC WORKS DIRECTOR</p> <p>DATE APPROVED: _____</p>			<p>CITY OF ARLINGTON</p> <p>AIRPORT BOULEVARD ROAD IMPROVEMENTS</p> <p>PLAN AND PROFILE</p> <p>STA 65+00 TO STA 73+00</p>	<p>REFERENCE SHEET NO. PP2</p> <p>SHEET OF</p> <p>SHEETS</p>
--	---	--	--	--	--

AECOM

10900 NE 8th Street, Suite 750
Bellevue, WA 98004
T: 206.674.4200
WWW.AECOM.COM

701 Fifth Avenue, Suite 1100
Seattle, WA 98104
T: 206.674.4200
WWW.AECOM.COM

FOR ROADWAY

BRYAN J. HUSCHKA
REGISTERED PROFESSIONAL ENGINEER
STATE OF WASHINGTON

FOR DRAINAGE AND UTILITIES

DEBORAH L. MAKROON
REGISTERED PROFESSIONAL ENGINEER
STATE OF WASHINGTON