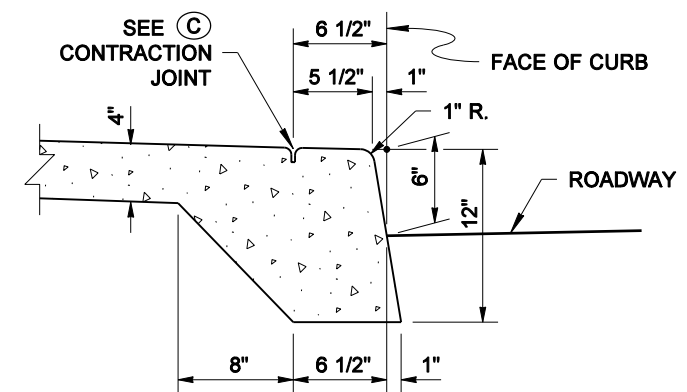
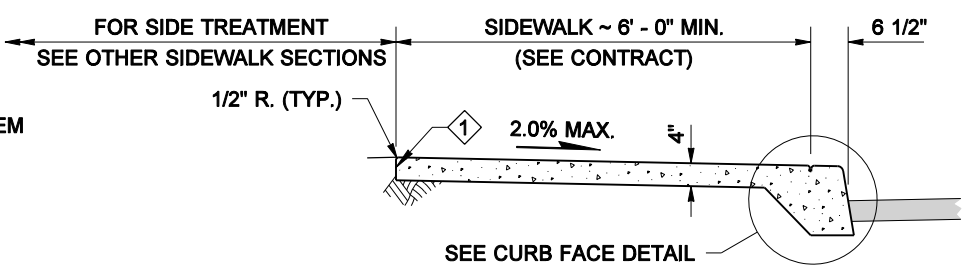
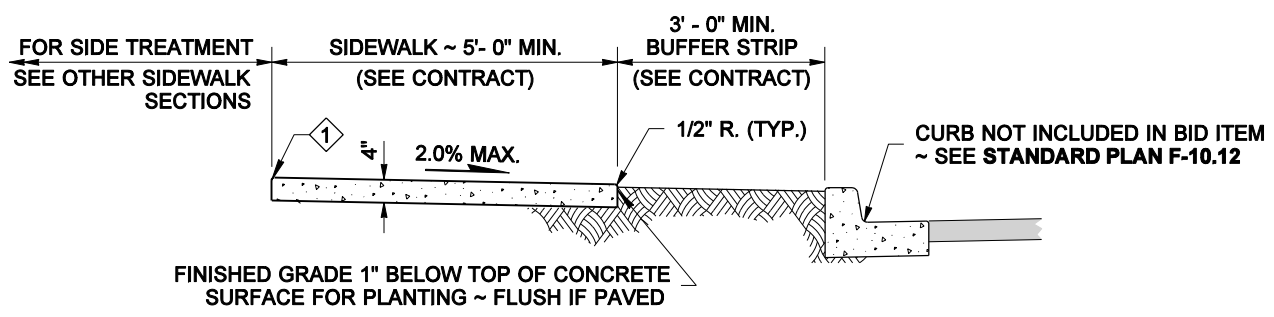
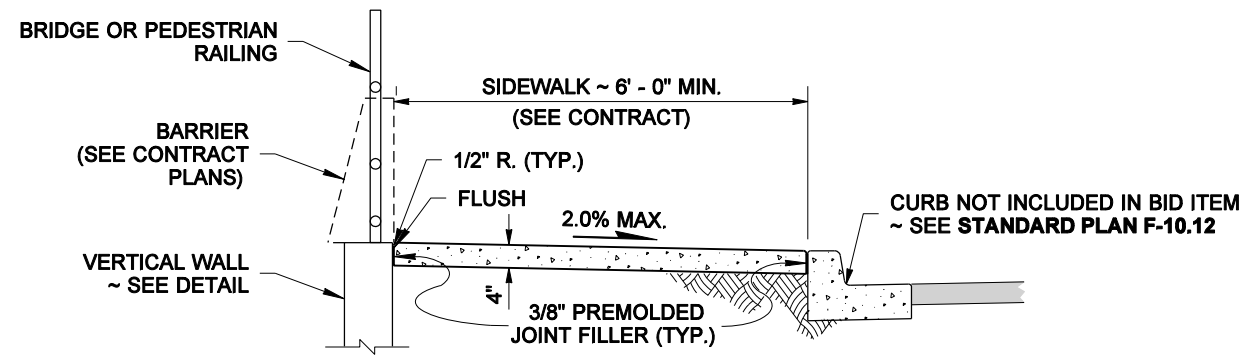
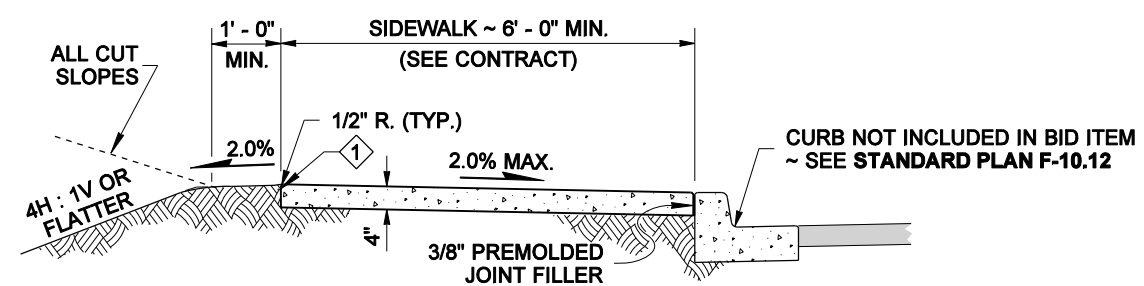
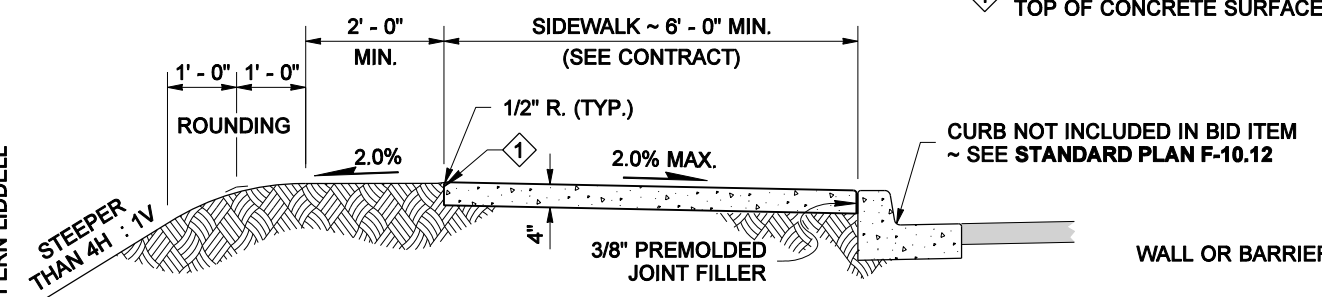
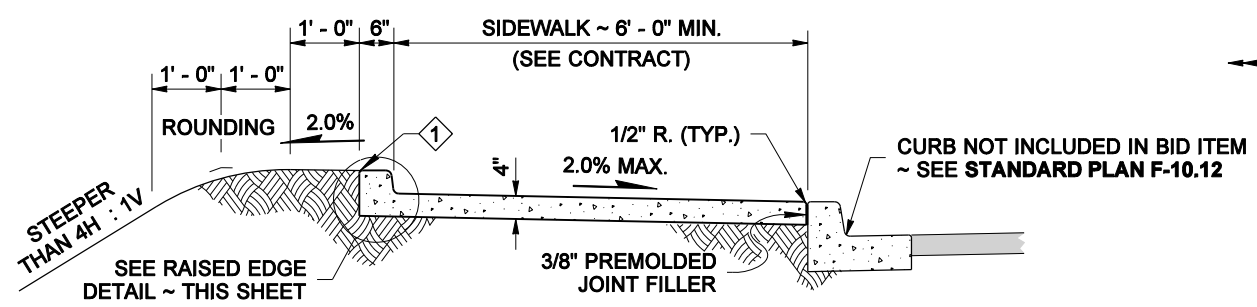


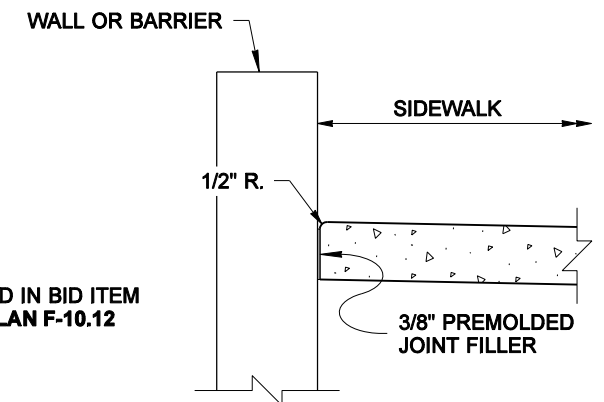
DRAWN BY: FERN LIDDELL



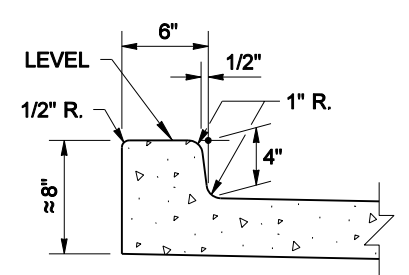
NOTE

- Four feet of the sidewalk width shall be the minimum pedestrian accessible route free of vertical and horizontal obstructions. Gratings, access covers, junction boxes, cable vaults, pull boxes and other appurtenances within the sidewalk must have slip resistant surfaces and be flush with surface and match grade of the sidewalk.

1 FINISHED GRADE 1" BELOW TOP OF CONCRETE SURFACE

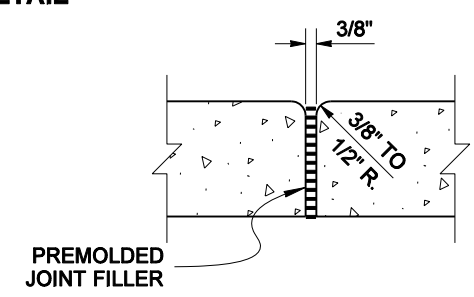
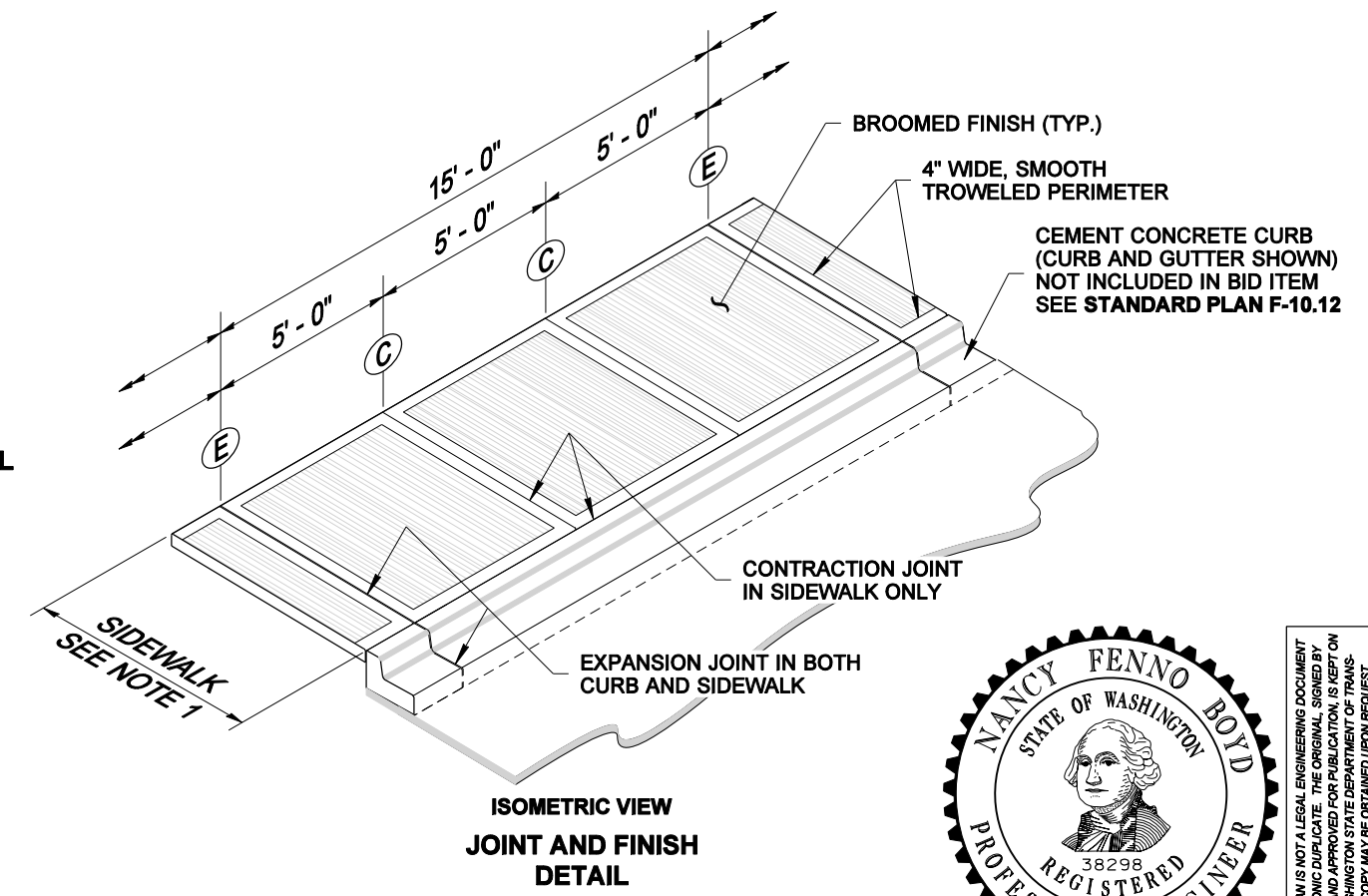


SIDEWALK ADJACENT TO WALL DETAIL

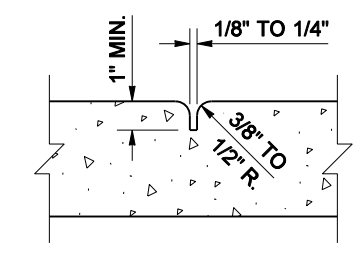


NOTE: EXTEND SIDEWALK TRANSVERSE JOINTS TO INCLUDE RAISED EDGE

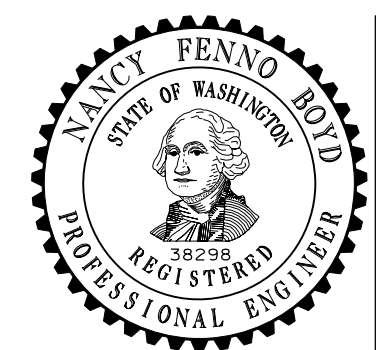
RAISED EDGE DETAIL



(E) EXPANSION JOINT



(C) CONTRACTION JOINT



NOTE: THIS PLAN IS NOT A LEGAL ENGINEERING DOCUMENT UNTIL IT IS APPROVED BY THE ENGINEER AND APPROVED BY THE CONTRACTOR. THE ENGINEER'S APPROVAL OF THIS PLAN IS FILED AT THE WASHINGTON STATE DEPARTMENT OF TRANSPORTATION. A COPY MAY BE OBTAINED UPON REQUEST.

**CEMENT CONCRETE
SIDEWALK
STANDARD PLAN F-30.10-01**

SHEET 1 OF 1 SHEET

APPROVED FOR PUBLICATION

Pasco Bakotich III 06-03-10
STATE DESIGN ENGINEER DATE

