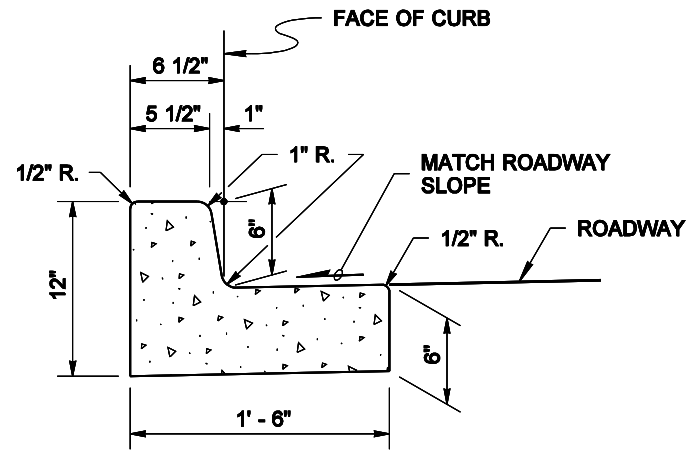
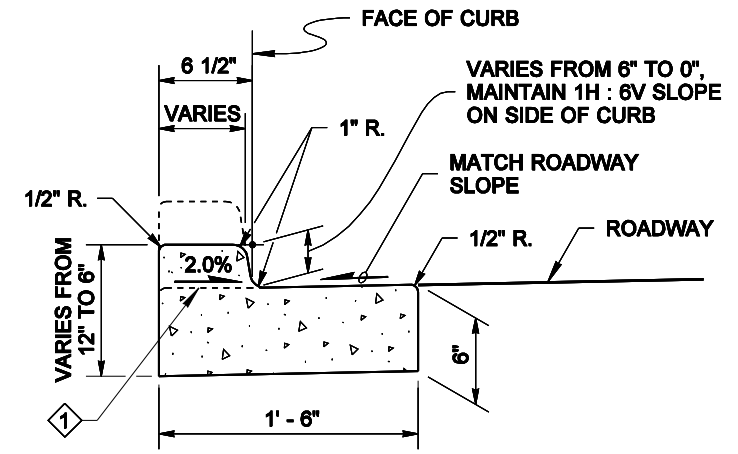


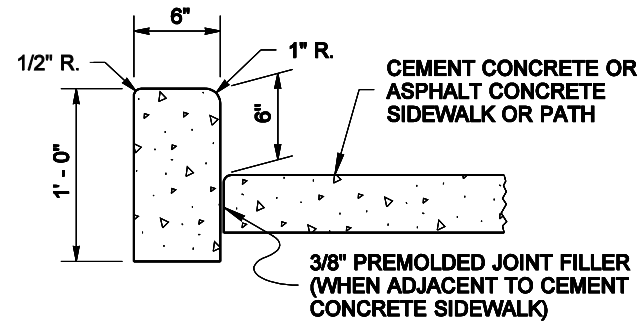
DUAL-FACED CEMENT CONCRETE TRAFFIC CURB AND GUTTER



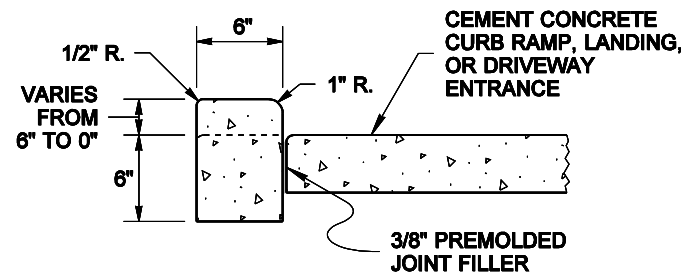
CEMENT CONCRETE TRAFFIC CURB AND GUTTER



DEPRESSED CURB SECTION AT CURB RAMPS AND DRIVEWAY ENTRANCES



CEMENT CONCRETE PEDESTRIAN CURB



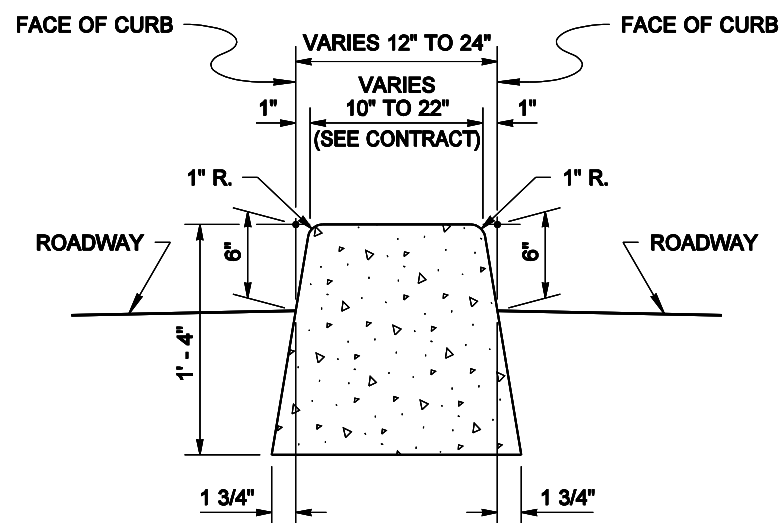
CEMENT CONCRETE PEDESTRIAN CURB AT CURB RAMPS, LANDINGS, AND DRIVEWAY ENTRANCES

NOTE

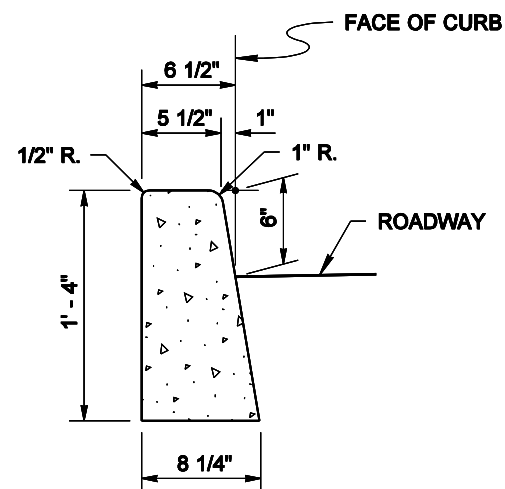
1. See **Standard Plan F-30.10** for Curb Expansion and Contraction Joint spacing.

1. FLUSH WITH GUTTER PAN AT CURB RAMP ENTRANCE ~ 1/2" VERTICAL LIP AT DRIVEWAY ENTRANCE

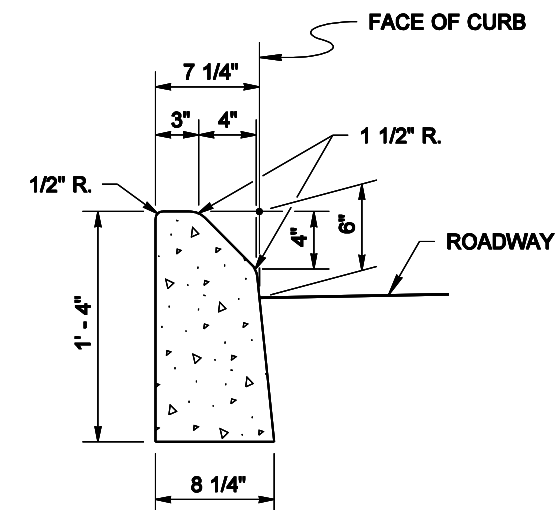
DRAWN BY: FERN LIDDELL



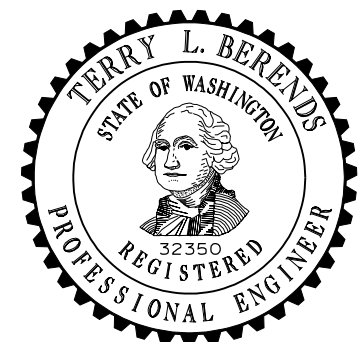
DUAL-FACED CEMENT CONCRETE TRAFFIC CURB



CEMENT CONCRETE TRAFFIC CURB



MOUNTABLE CEMENT CONCRETE TRAFFIC CURB



NOTE: THIS PLAN IS NOT A LEGAL ENGINEERING DOCUMENT UNTIL IT IS APPROVED FOR PUBLICATION BY THE ENGINEER AND APPROVED FOR RELEASE BY THE FILE AT THE WASHINGTON STATE DEPARTMENT OF TRANSPORTATION. A COPY MAY BE OBTAINED UPON REQUEST.

CEMENT CONCRETE CURBS

STANDARD PLAN F-10.12-02

SHEET 1 OF 1 SHEET

APPROVED FOR PUBLICATION

Pasco Bakotich III 06-16-11

STATE DESIGN ENGINEER

DATE



Washington State Department of Transportation