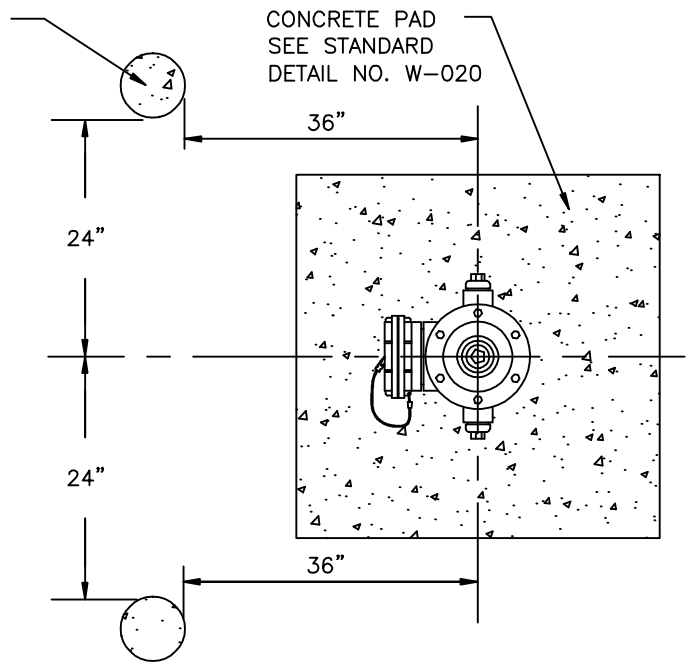


ELEVATION



PLAN

NOTES:

1. GUARD POSTS SHALL BE 8' LONG, 6" DIAMETER, CONCRETE FILLED CLASS 52 D.I. PIPE OR 8' LONG 8" DIAMETER REINFORCED CONCRETE. PAINTED WITH TWO COATS OF HIGH GLOSS CATERPILLAR YELLOW (RUST-OLEUM) TYPE PAINT.
2. TOP OF GUARD POST SHALL BE LEVEL WITH TOP OF OPERATING NUT.



APPROVED BY	L. OLIVE
DATE	07/31/2008
REF STAD SPEC	

DEPARTMENT OF PUBLIC WORKS
STANDARD DETAILS

FIRE HYDRANT GUARD POST

STANDARD DETAIL
NUMBER

W-030