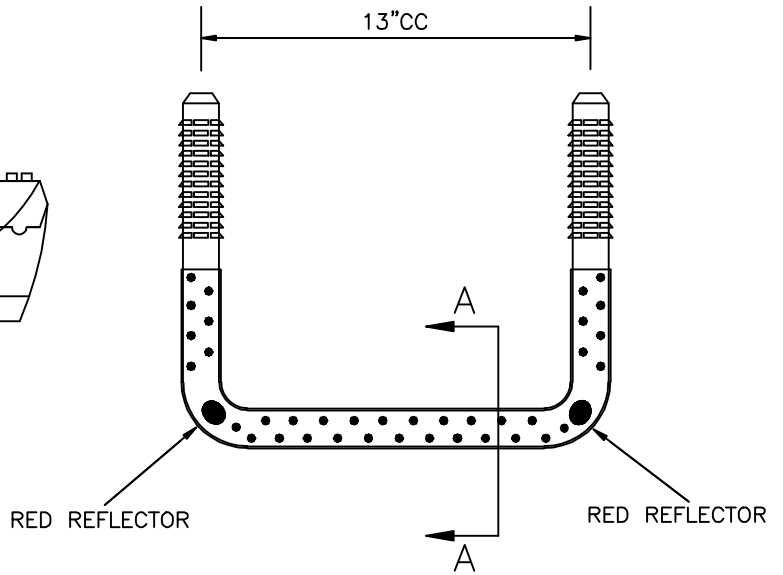
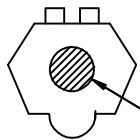


ELEVATION



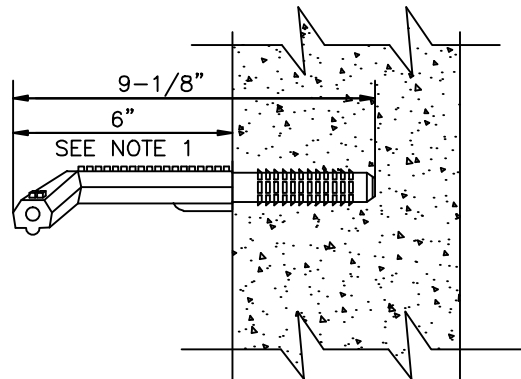
PLAN



1/2" GRADE 60 STEEL
REINFORCING BAR (ASTM A-615)

POLYPROYLENE ASTM D4101
STEP MEETS ASTM C-478

SECTION A-A



SIDE ELEVATION

NOTE:

1. STEPS LOCATED IN RISER SECTIONS SHALL BE 6".



APPROVED BY	L. OLIVE
DATE	07/31/2008
REF STAD SPEC	

DEPARTMENT OF PUBLIC WORKS
STANDARD DETAIL

MANHOLE LADDER STEP

STANDARD DETAIL
NUMBER

SS-050