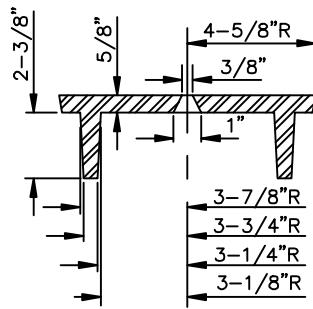
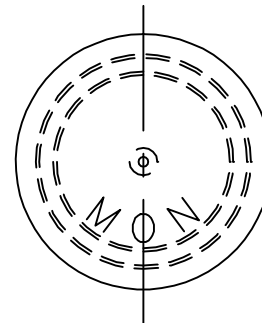


**PLAN**

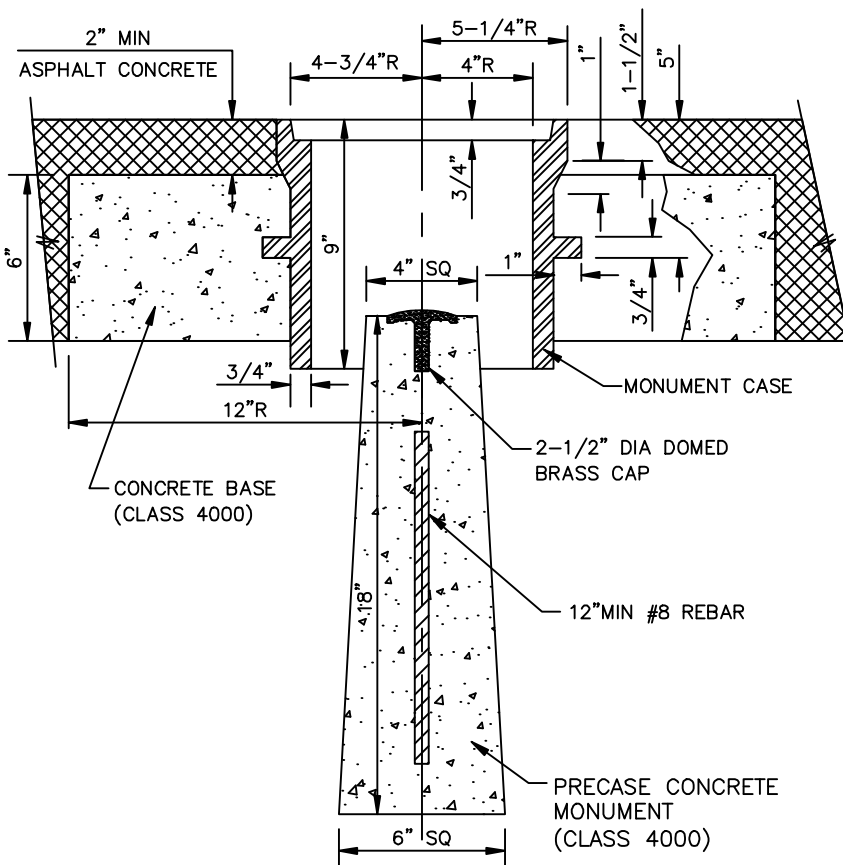
COVER REMOVED



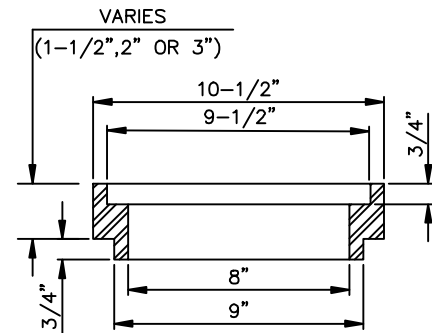
**COVER SECTION**



**COVER PLAN**



**SECTION**



**EXTENSION SECTION**

**NOTES**

1. MONUMENTS IN NON-PAVED AREAS SHALL BE 3" ABOVE GRADE.
2. ALL MONUMENTS SHALL BE PRECAST CONC. WITH REBAR AND 2-1/2" DIA BRASS CAP.
3. MONUMENT CASE AND RISER SECTION SHALL BE CAST IRON PER ASTM-A48, CLASS 30, WITH BITUMINOUS COATING.
4. COVER SHALL BE DUCTILE IRON PER ASTM-A536, GRADE 80-55-06, WITH BITUMINOUS COATING.
5. LEGEND ON COVER SHALL BE 1/8" RAISED INTERGRALLY CAST LETTERS 1" HIGH WITH A MIN FACE WIDTH OF 3/16".



APPROVED BY	L. OLIVE
DATE	07/31/2008
REF STD SPEC	

<p>DEPARTMENT OF PUBLIC WORKS</p> <p><b>STANDARD DETAILS</b></p>
<p>SURVEY MONUMENT</p>

STANDARD DETAIL NUMBER
R-130