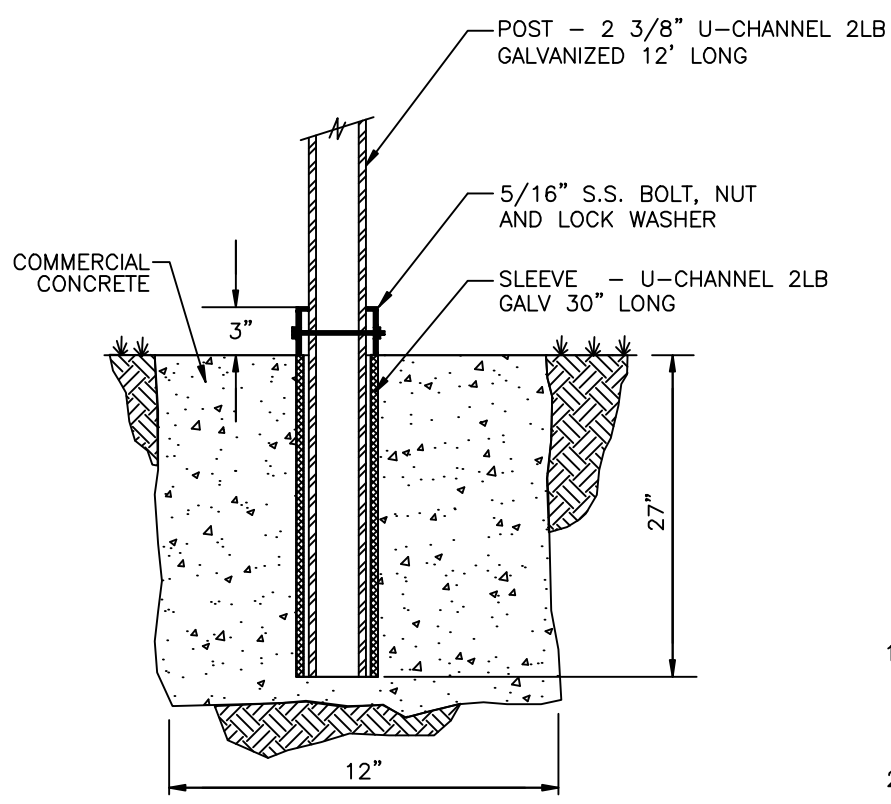


TYPICAL INSTALLATIONS



TYPICAL SECTION

NOTES:

1. STANDARD STOP SIGNS SHALL BE 30"x30" PRISMATIC SPECIFICATION UNLESS OTHERWISE APPROVED OR DIRECTED BY THE CITY ENGINEER.
2. STREET NAME SIGNS MAY BE INSTALLED AT TOP OF POST.

	APPROVED BY	L. OLIVE	DEPARTMENT OF PUBLIC WORKS STANDARD DETAILS	STANDARD DETAIL NUMBER R-120
	DATE	07/31/2008		
	REF STD SPEC		TRAFFIC REGULATORY SIGN INSTALLATION	