

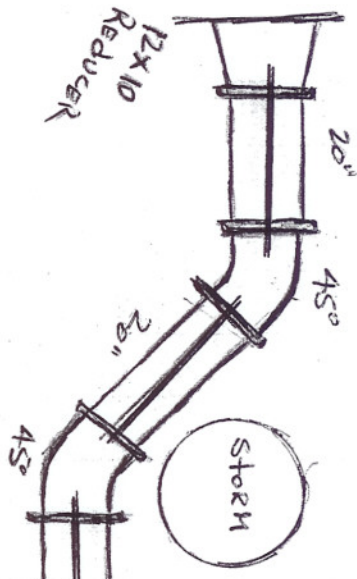
STA: 58+00



67TH AVE

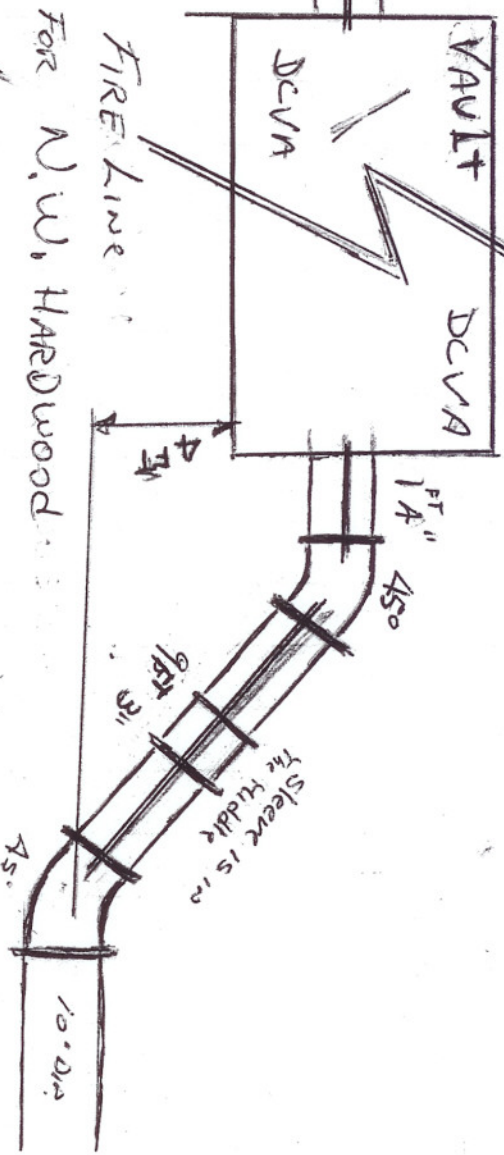
SIDE VIEW

STAI: 104+33  
11+30



TOP VIEW

3-2003



10" DIA  
ALL MESSY LOGS AND  
REINFORCED ROD

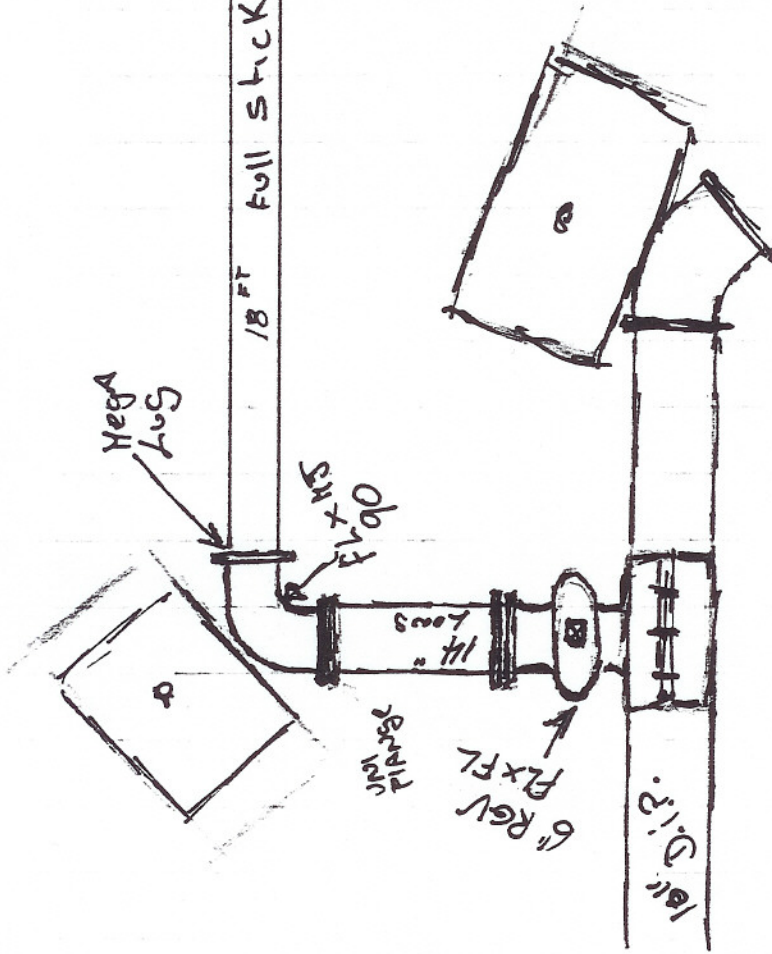
FIRE LINE  
FOR N.W. HARDWOOD

5/15/03

FDC

Installation

STA: 104+30



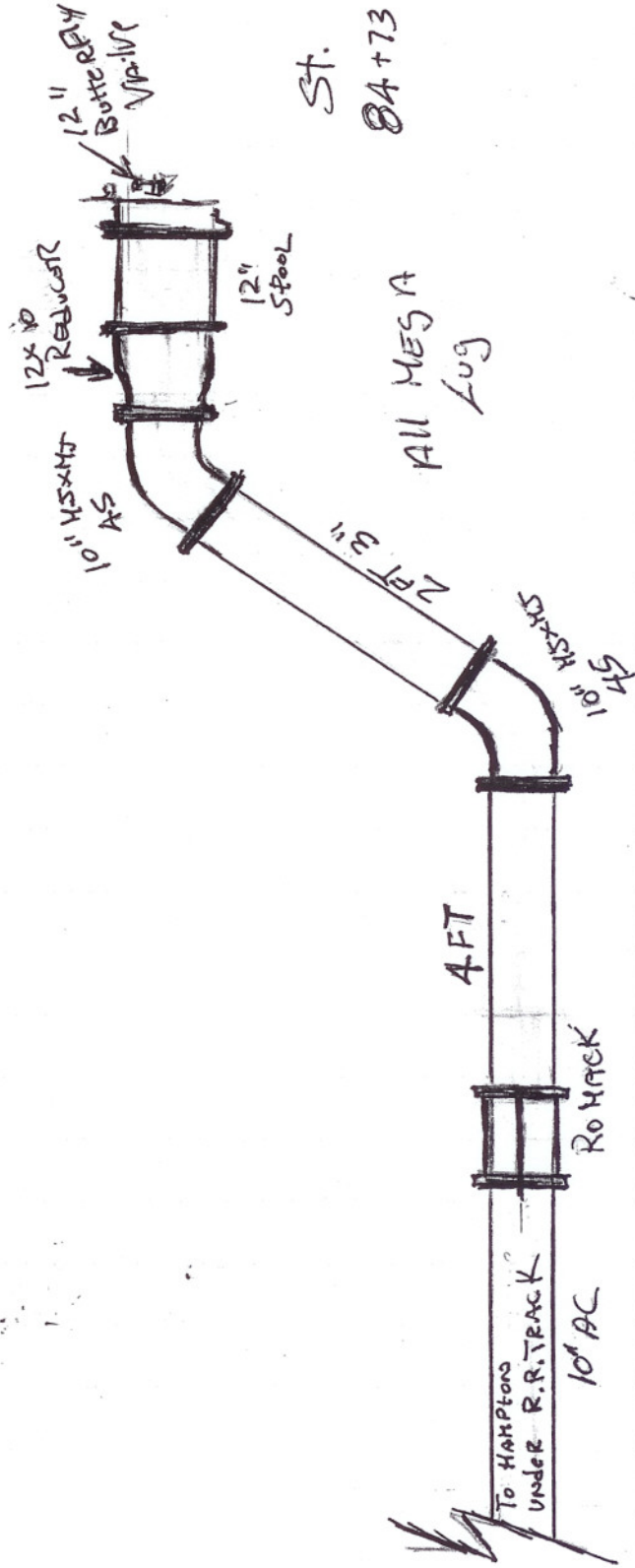
F. Line to  
N. west HARDWOOD



EAST.

3/18/2003

STA: 84+73



St.  
84+73

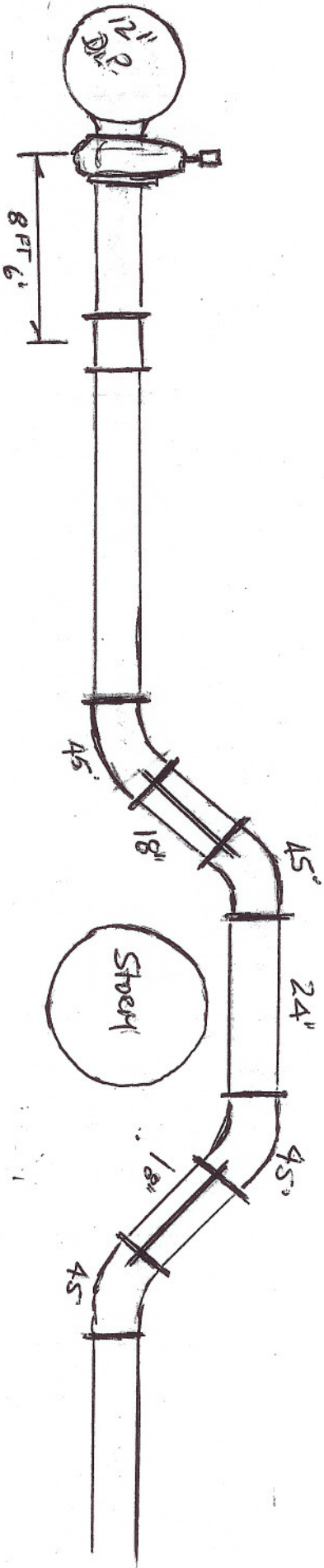
ALL MES A  
Aug



TO AGRA SHOP

STA: 81+82

3/18/2003

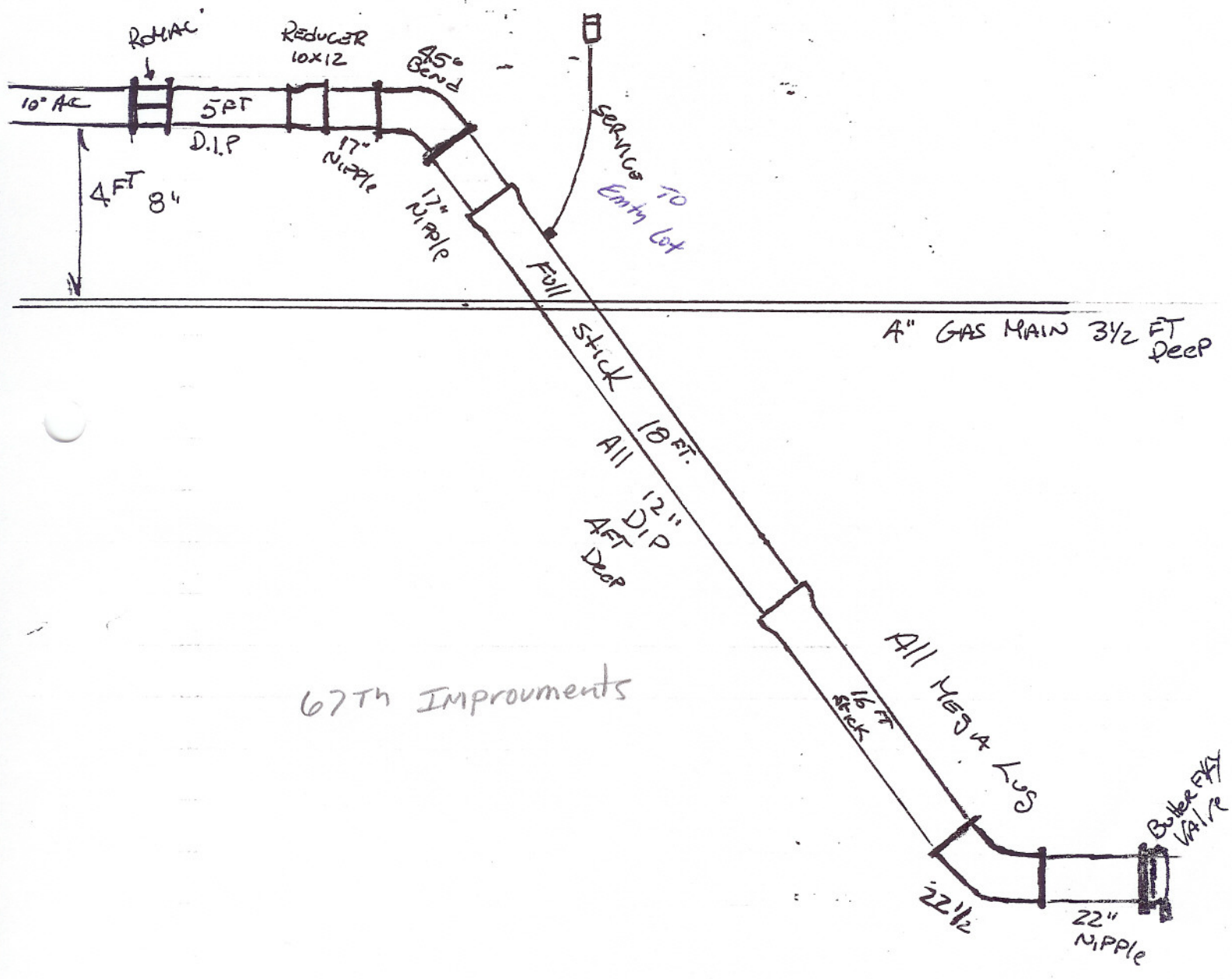


FIRE LINE SERVICE  
FOR AGRA SHOP  
TIE IN FROM NEW WATER MAIN  
ON 67<sup>th</sup> AND DEFLECTION OVER STORAGE

3/19/2003

66th Ave

STA: 75+87

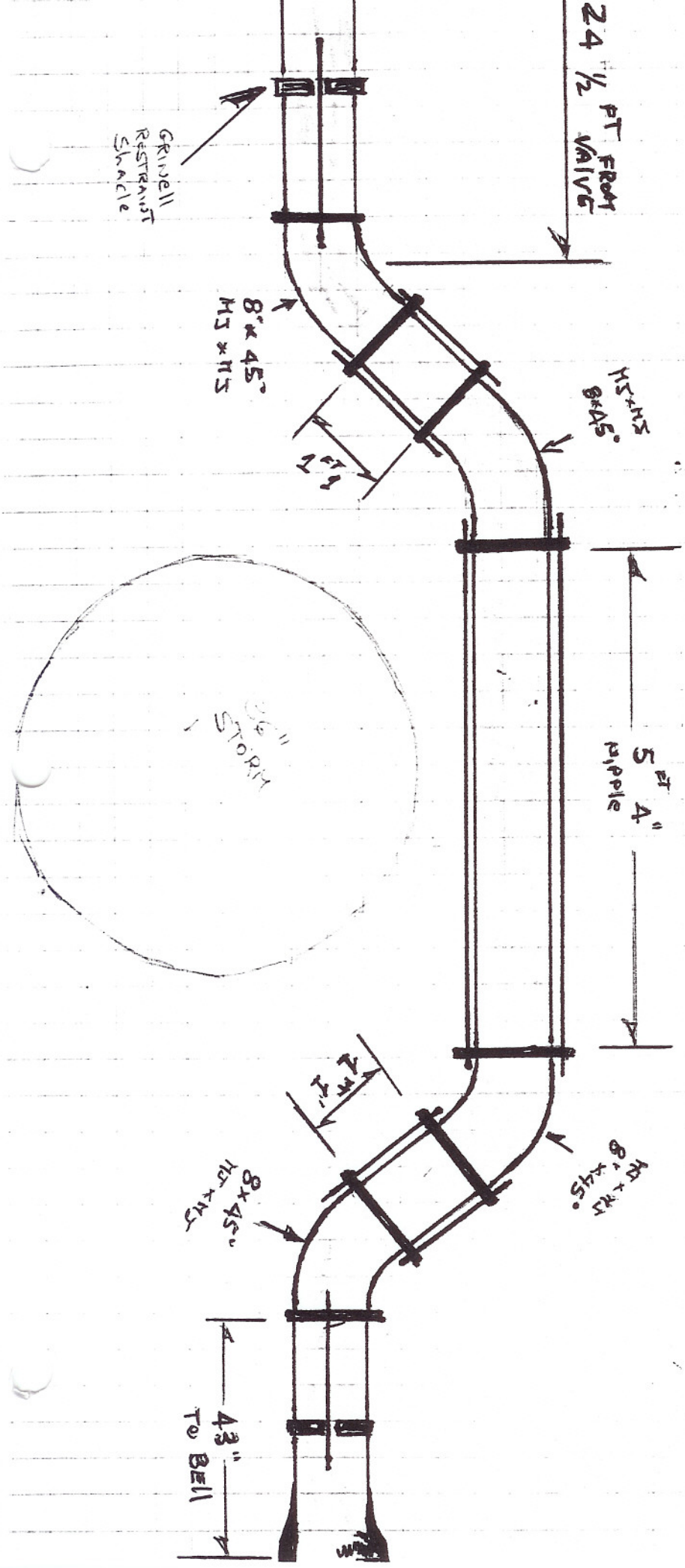


67th Improvements

Kids warehouse

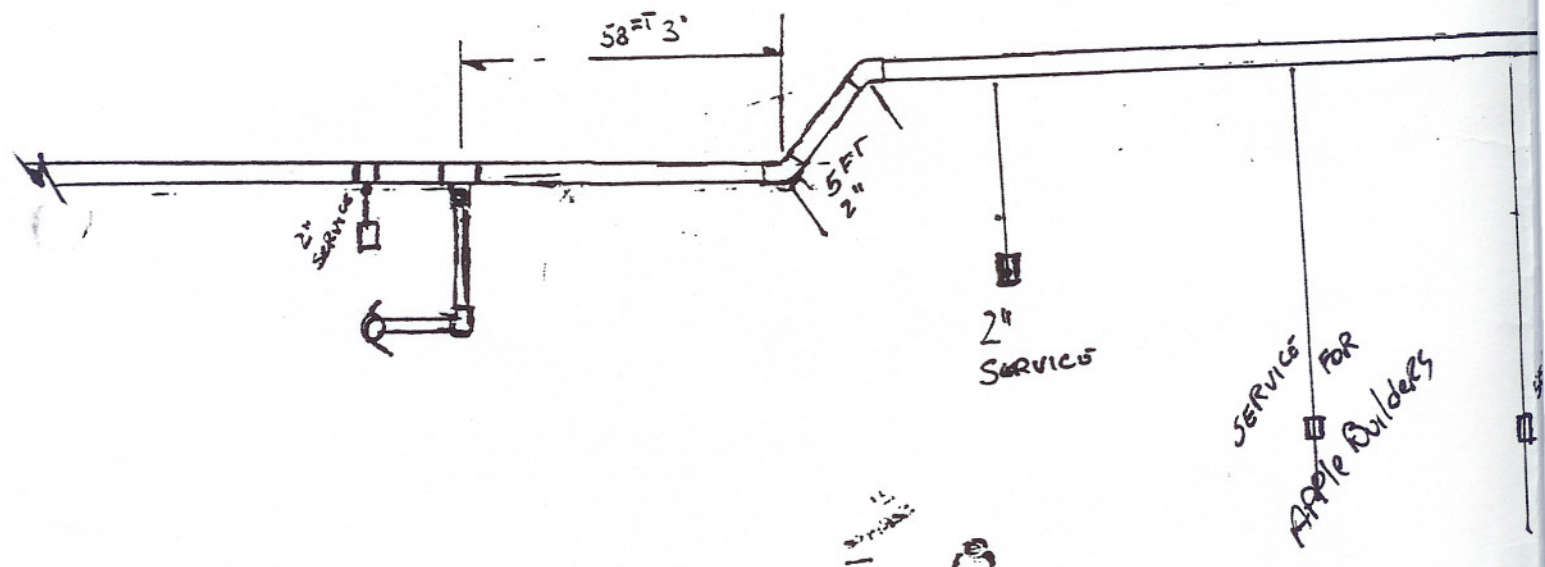
67th  
N

STAI: 63+93



STA: 60+45

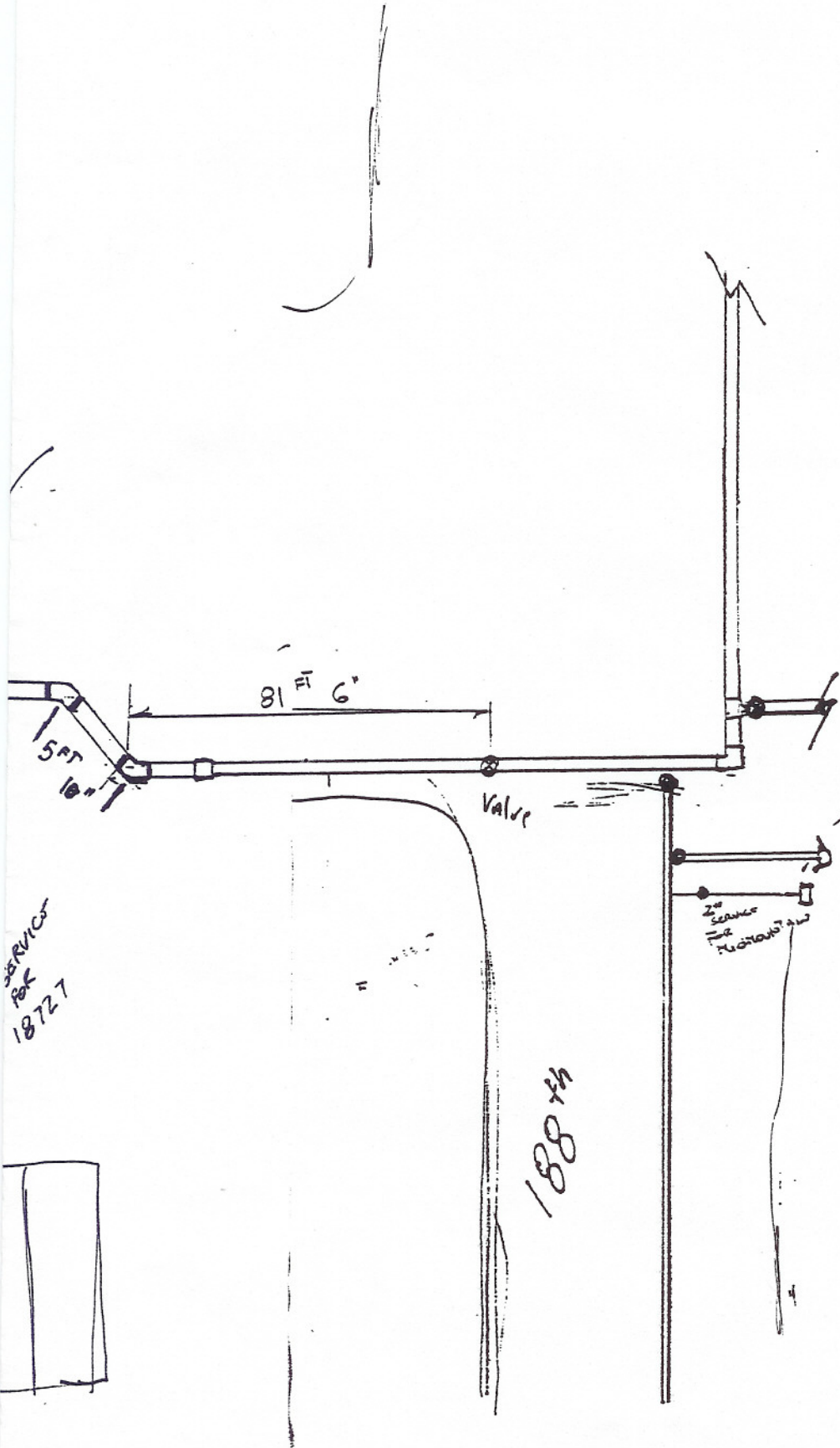
67<sup>th</sup> → N





7/28-02

Kings  
WEREHouse



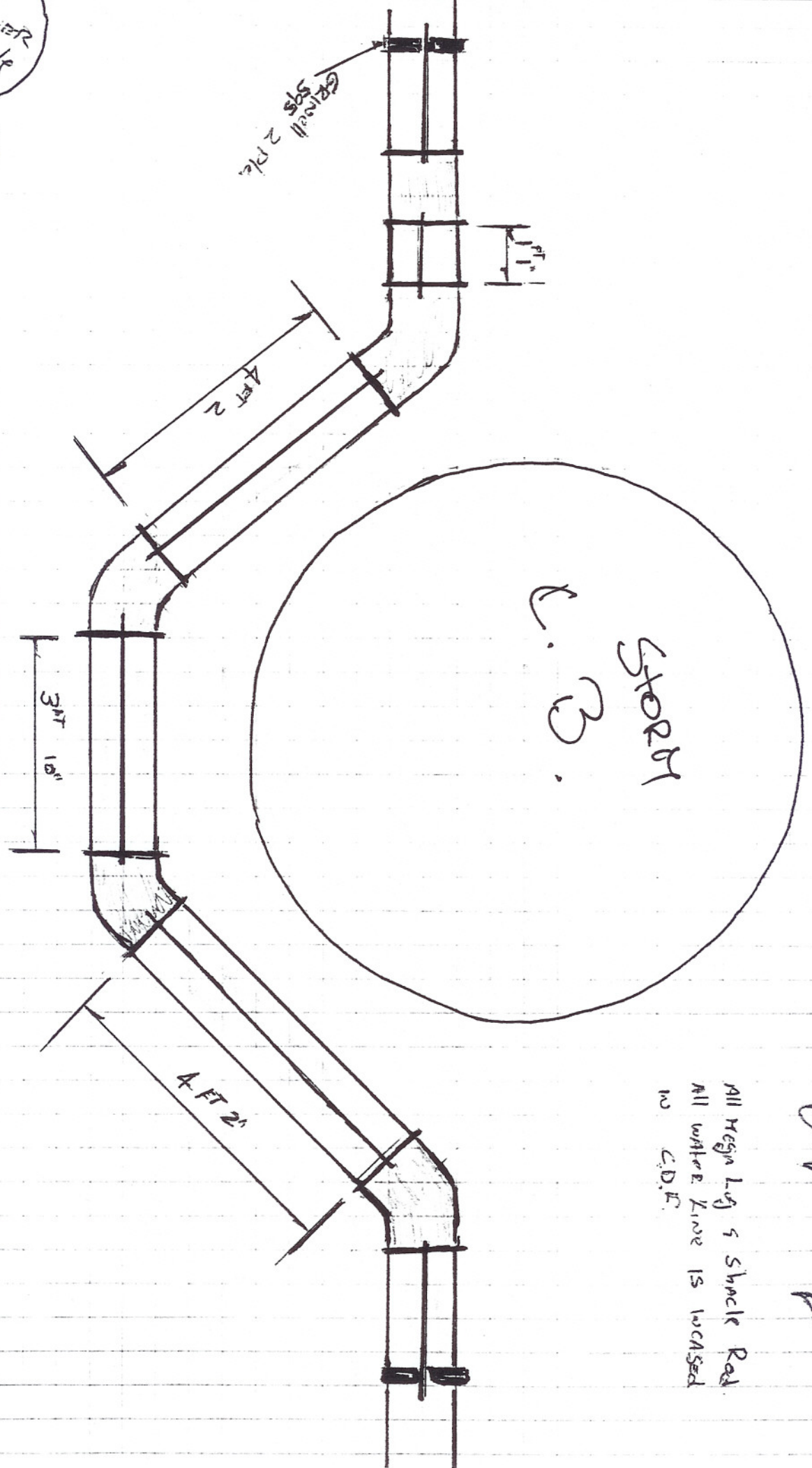
SERVICE  
18K  
18727

188 ft

Mid Mountain

SEWER FORCE MAIN 2 1/2 FT DEEP

67th Stations 54+70



ALL REGN LOG & SHACKLE ROD.  
 ALL WATER LINE IS LOCATED  
 IN C.D.F.



SEWER  
 MAN HOLE

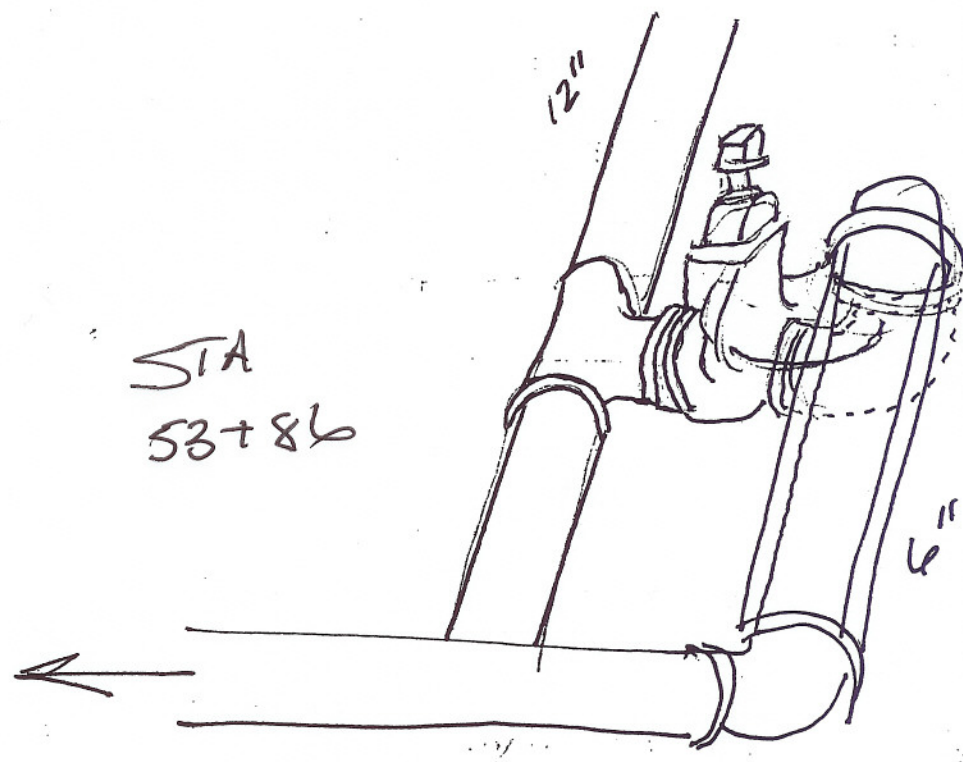
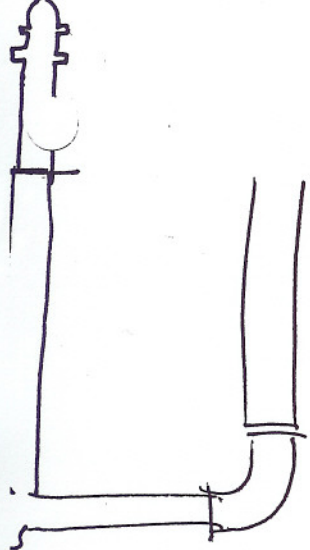
GRAVITY  
 SPS 2' DIA.

GRAVITY SEWER LINE SAME DEPTH OF W. LINE

4 FT 2'

3 FT 10"

4 FT 2'



Hydrant Assembly on 67th  
Glencastle Pond STA: 53+86