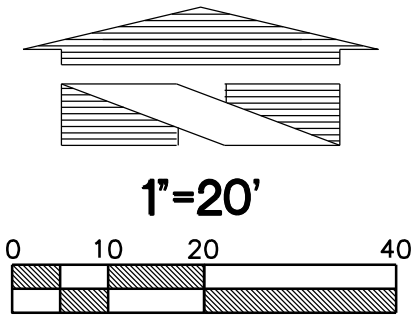
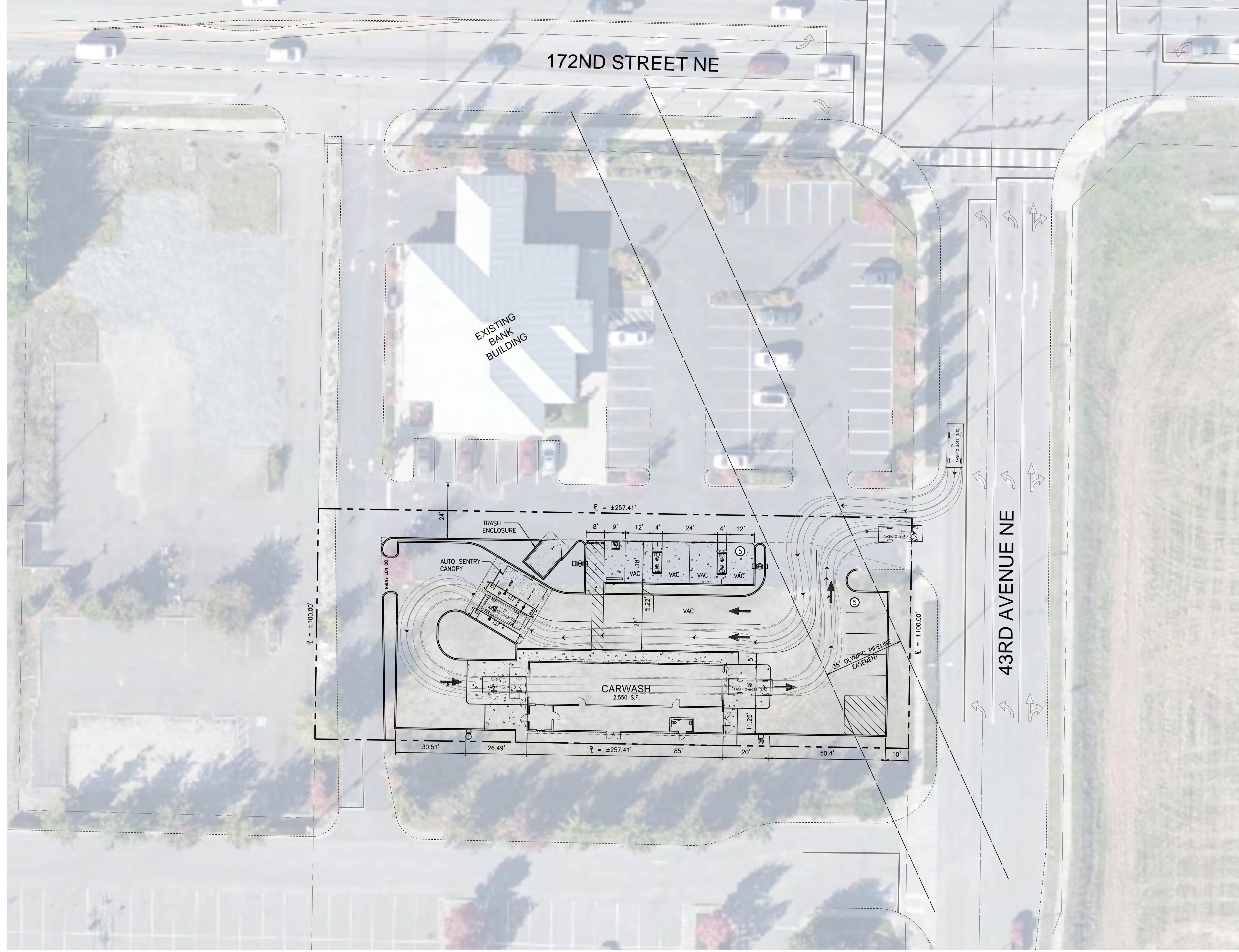


**SITE PLAN  
FOR  
BROWN BEAR CAR WASH**



Job Number  
**21860**

Sheet  
**PS-1**

**Barghausen Consulting Engineers, Inc.**  
18215 72nd Avenue South  
Kent, WA 98032  
425.251.6222 [barghausen.com](http://barghausen.com)

Designed \_\_\_\_\_  
Drawn \_\_\_\_\_  
Checked \_\_\_\_\_  
Approved \_\_\_\_\_  
Date \_\_\_\_\_

Scale:  
Horizontal  
1" = 20'  
Vertical  
N.A.

**Not for  
Construction**

For:  
**CAR WASH ENTERPRISES, INC.**  
3977 LEARY WAY NW  
SEATTLE, WASHINGTON 98107

Title:  
**SITE PLAN**  
**BROWN BEAR CAR WASH**  
**SWC - 172ND STREET NE AND 43RD AVENUE NE**  
**ARLINGTON, WASHINGTON**

No.	Date	By	Clcd.	Appr.	Revision